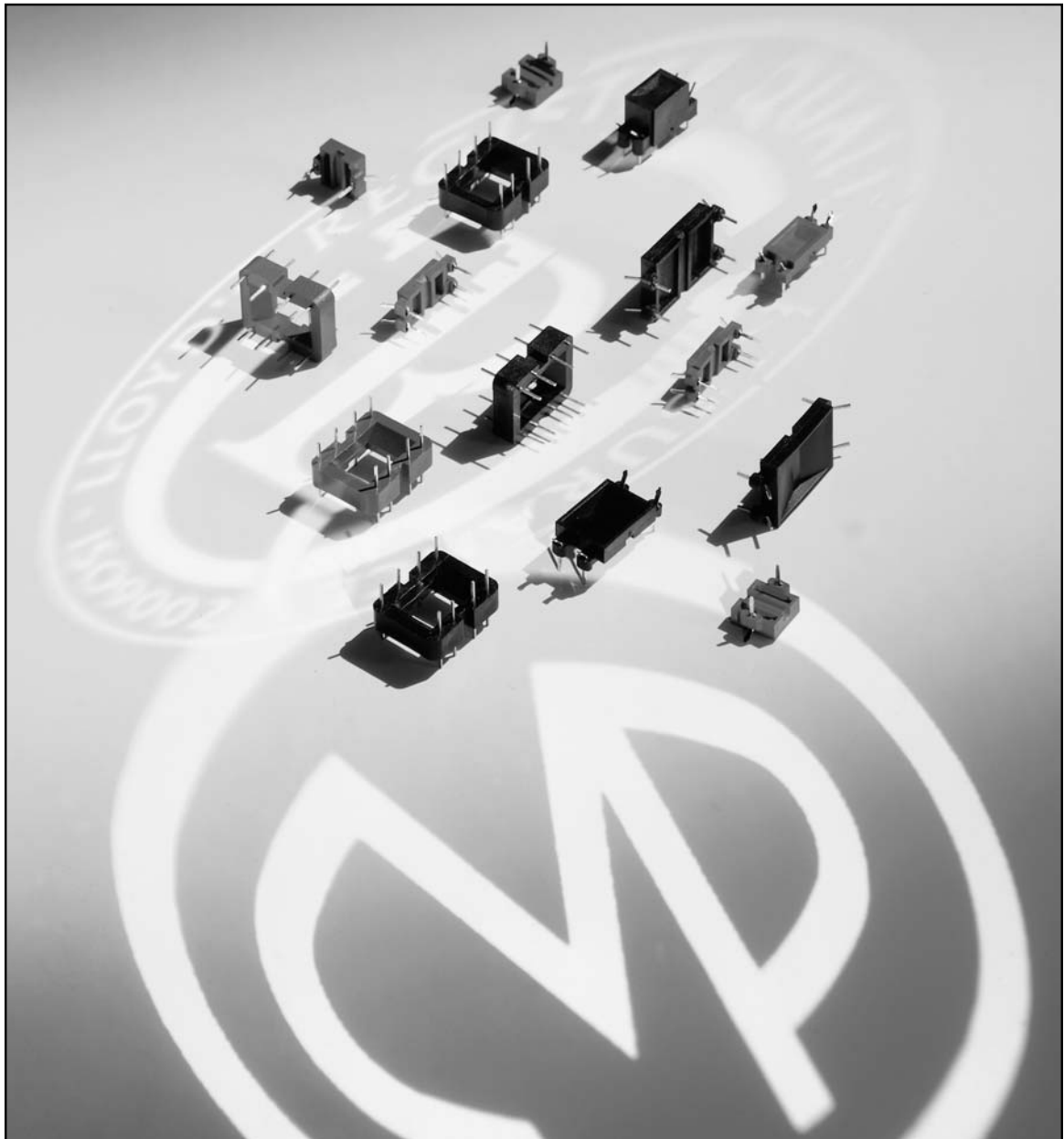




MILES · PLATTS

TOROID MOUNTS

- Seven vertical mounts catalogued
- Custom Design Service
- Through hole termination options
- Horizontal types under development
- Available in high performance



Section 6

For further technical information please contact sales
Tel: +44 (0) 116 262 2593 Fax: +44 (0) 116 253 7889

Section 6

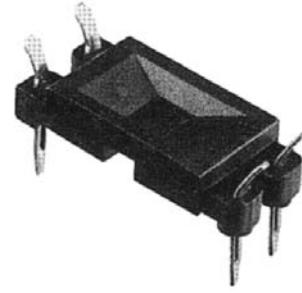
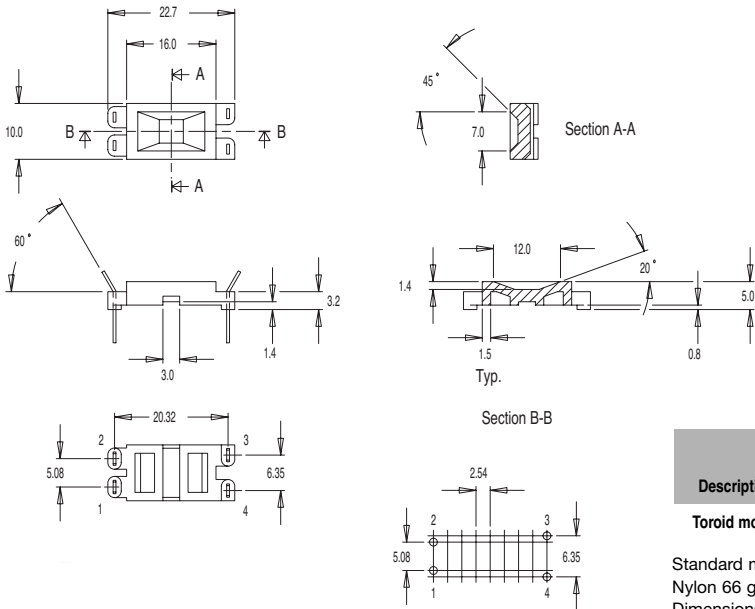
1



MILES · PLATTS

Toroid Mounts

TOROID MOUNT TR0010

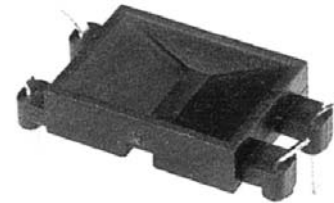
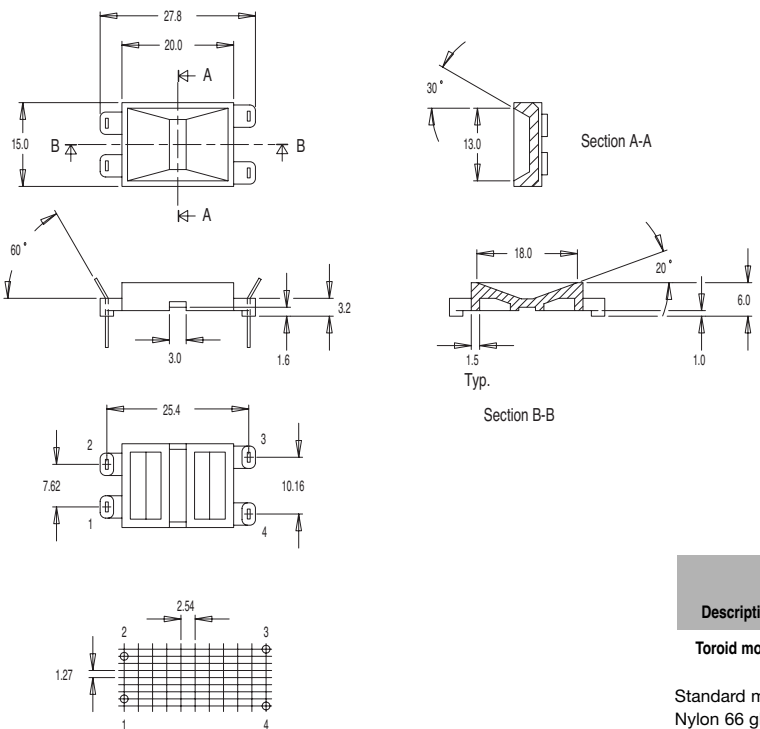


Description	Type	Terminal type	No. of terminals available	Part No.
Toroid mount	72958	TBS 901	4 (2 x 2)	TR0010

Standard materials: Nylon 66 glass reinforced /
Nylon 66 glass reinforced to UL94V0
Dimensions in millimetres

Section 6

TOROID MOUNT TR0020



Description	Type	Terminal type	No. of terminals available	Part No.
Toroid mount	72959	TBS 901	4 (2 x 2)	TR0020

Standard materials: Nylon 66 glass reinforced /
Nylon 66 glass reinforced to UL94V0
Dimensions in millimetres

Most products are available direct from stock with same day despatch
- please contact sales for details

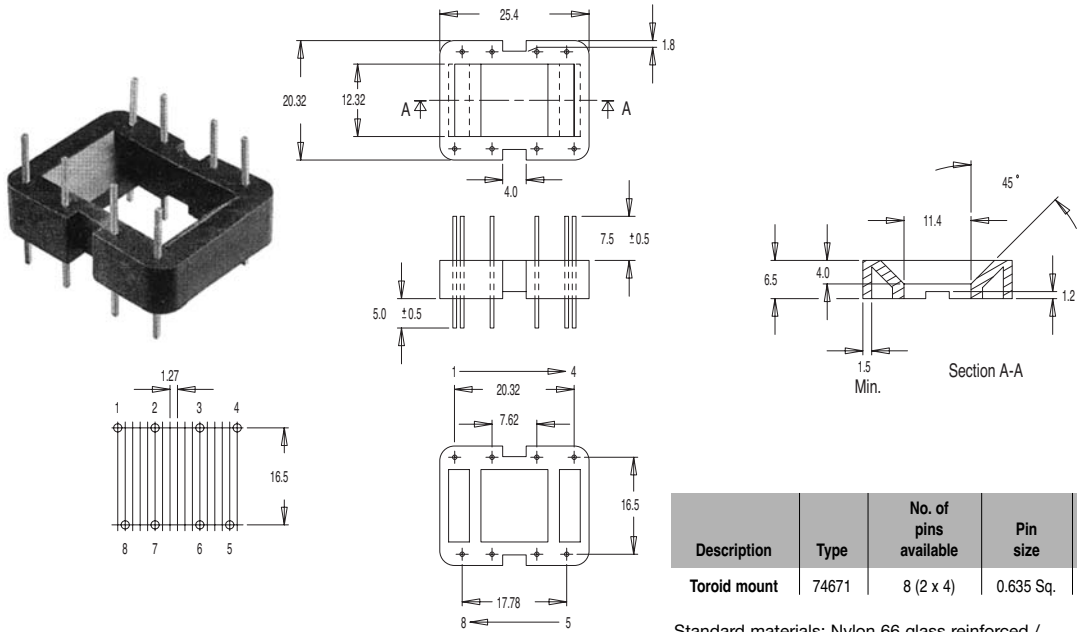
Section 6
2



MILES · PLATTS

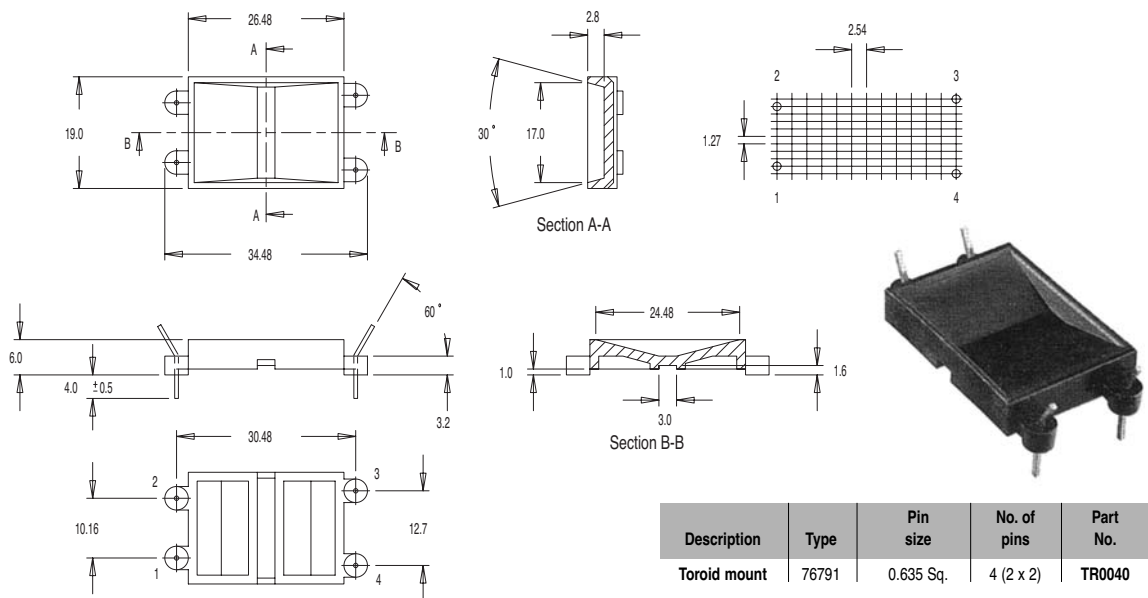
Toroid Mounts

TOROID MOUNT TR0030



Standard materials: Nylon 66 glass reinforced /
Nylon 66 glass reinforced to UL94V0
Pin material: Phosphor Bronze Dimensions in millimetres

TOROID MOUNT TR0040



Standard materials: Nylon 66 glass reinforced /
Nylon 66 glass reinforced to UL94V0
Pin material: Phosphor Bronze Dimensions in millimetres

Miles-Platts terminals & wire pins are lead-free - all polymers meet the ROHS directive (2002/95/EC). Please refer to website for details.

Section 6

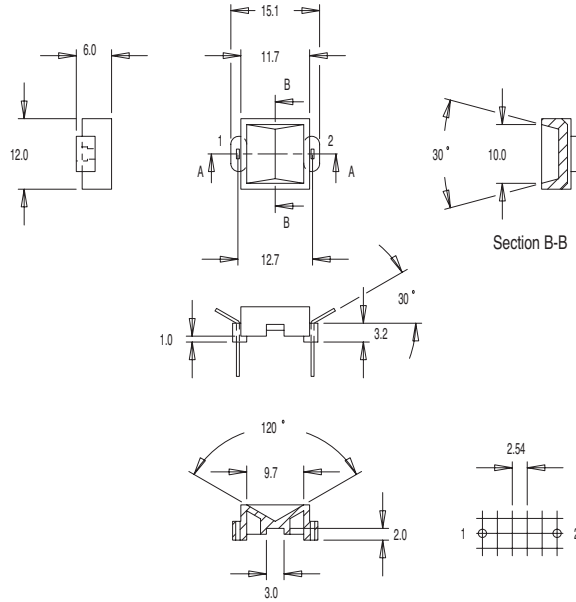
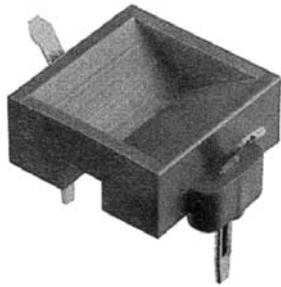
Section 6
3



MILES · PLATTS

Toroid Mounts

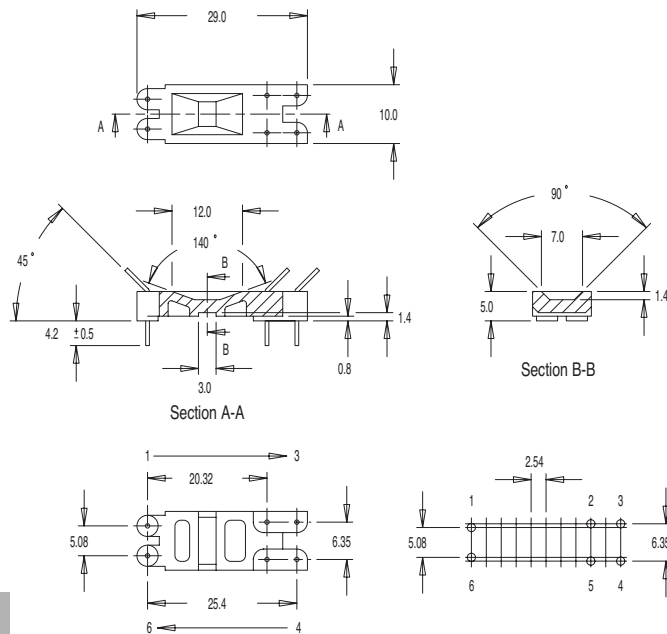
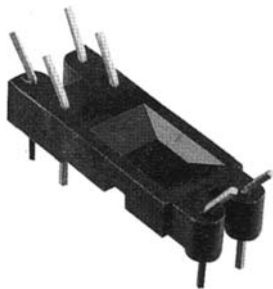
TOROID MOUNT TR0050



Description	Type	Terminal type	No. of terminals available	Part No.
Toroid mount	79796	TBS 901	2	TR0050

Standard materials: Nylon 66 glass reinforced /
Nylon 66 glass reinforced to UL94V0 Dimensions in millimetres

TOROID MOUNT TR0060



Description	Type	Pin size	No. of pins	Part No.
Toroid mount	76507	0.635 Sq.	6 (2 x 3)	TR0060

Standard materials: Nylon 66 glass reinforced /
Nylon 66 glass reinforced to UL94V0 Dimensions in millimetres

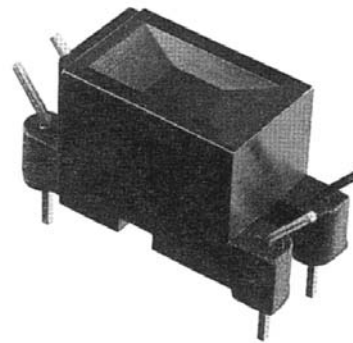
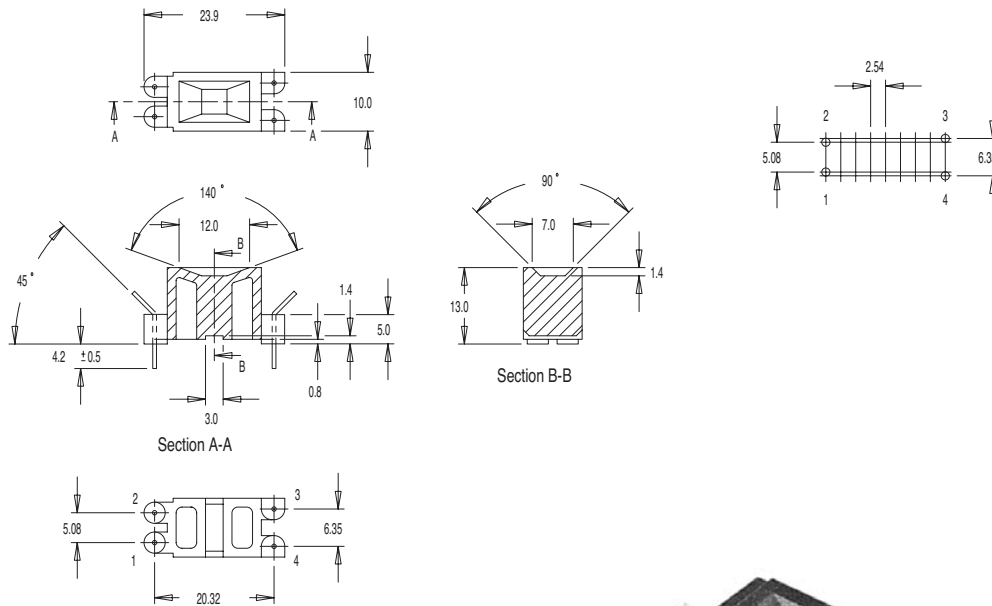
Miles-Platts are technical moulders - we manufacture more than bobbins
- please contact sales for details



MILES · PLATTS

Toroid Mounts

TOROID MOUNT TR0070

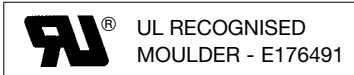


Description	Type	Pin size	No. of pins	Part No.
Toroid mount	77379	0.635 Sq.	4 (2 x 2)	TR0070

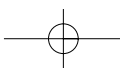
Standard materials: Nylon 66 glass reinforced /
 Nylon 66 glass reinforced to UL94V0
 Pin material: Phosphor Bronze Dimensions in millimetres

Section 6

For further technical information please contact
 sales@milesplatts.co.uk or www.milesplatts.co.uk



Section 6
5





MILES · PLATTS

“ We develop product and processes through innovation and technology. ”

“ Wir entwickeln Erzeugnisse und Verfahren durch Innovation und Technologie. ”

“ Nous développons des produits et des procédés par l’innovation et la technologie. ”

“ Desarrollamos los productos y los procesos mediante la innovación y la tecnología. ”