

Sm-Co



Grade	Maximum Energy Product	Residual Induction	Minimum Intrinsic Coercivity	Coercivity	Maximum Operating Temp	Curie Temp	Coefficient Induction [20-150 °C]	Coefficient Coercivity [20-150 °C]
	BH_{max}	B_r	H_{ci}	H_c	T_{mo}	T_c	α	β
	MGOe	kG	kOe	kOe	°C	°C	% / °C	% / °C
Type 2:17								
S3010	30	11.2	10	9.2	300	825	-0.03	-0.17
S2610	26	10.5	10	8.8	300	825	-0.03	-0.17
S3212	32	11.5	12	10.0	300	825	-0.03	-0.17
S3012	30	11.3	12	9.8	300	825	-0.03	-0.17
S2612	26	10.6	12	9.4	300	825	-0.03	-0.17
S2212	22	9.9	12	9.0	300	825	-0.03	-0.17
S3215	32	11.5	15	10.5	300	825	-0.03	-0.22
S3015	30	11.3	15	10.3	300	825	-0.03	-0.22
S2816	28	11.0	16	10.3	300	825	-0.03	-0.22
S2616	26	10.8	16	10.1	300	825	-0.03	-0.22
S3218	32	11.6	18	10.8	300	825	-0.03	-0.22
S3018	30	11.3	18	10.6	300	825	-0.03	-0.22
S2618	26	10.7	18	10.1	300	825	-0.03	-0.22
S2820	28	11.0	20	10.4	300	825	-0.03	-0.22
S2620	26	10.8	20	10.3	300	825	-0.03	-0.22
S2825	28	11.1	25	10.5	300	825	-0.03	-0.22
S2625	26	10.8	25	10.2	300	825	-0.03	-0.22
S2425	24	10.3	25	9.8	350	825	-0.03	-0.22
S2225	22	9.7	25	9.2	350	825	-0.03	-0.22
S2830	28	11.0	30	10.5	300	825	-0.03	-0.22
S2630	26	10.8	30	10.3	300	825	-0.03	-0.22
S2430	24	10.3	30	9.8	350	825	-0.03	-0.22
S2230	22	9.7	30	9.3	350	825	-0.03	-0.22
S2435	24	10.3	35	9.9	350	825	-0.03	-0.22
S2235	22	9.7	35	9.3	350	825	-0.03	-0.22
Type 1:5								
S2415	24	10.0	15	9.3	250	750	-0.05	-0.22
S2215	22	9.5	15	8.8	250	750	-0.05	-0.22
S2418	24	10.0	18	9.4	250	750	-0.05	-0.22
S2218	22	9.5	18	9.0	250	750	-0.05	-0.22
S2018	20	9.0	18	8.5	250	750	-0.05	-0.22
S1818	18	8.6	18	8.2	250	750	-0.05	-0.22
S2220	22	9.5	20	9.1	250	750	-0.05	-0.22
S2020	20	9.0	20	8.6	250	750	-0.05	-0.22
S1820	18	8.6	20	8.2	250	750	-0.05	-0.22
S2223	22	9.5	23	9.1	250	750	-0.05	-0.22
S2025	20	9.0	25	8.6	250	750	-0.05	-0.22
S1825	18	8.6	25	8.2	250	750	-0.05	-0.22
S2030	20	9.0	30	8.6	250	750	-0.05	-0.22

Tel: +1-847-956-1140 Email: info@dextermag.com Web: www.dextermag.com

Copyright 2010 © Dexter Magnetic Technologies Inc. All Rights Reserved. For Reference Only. V101

Sm-Co



Typical Physical Properties - Type 2:17

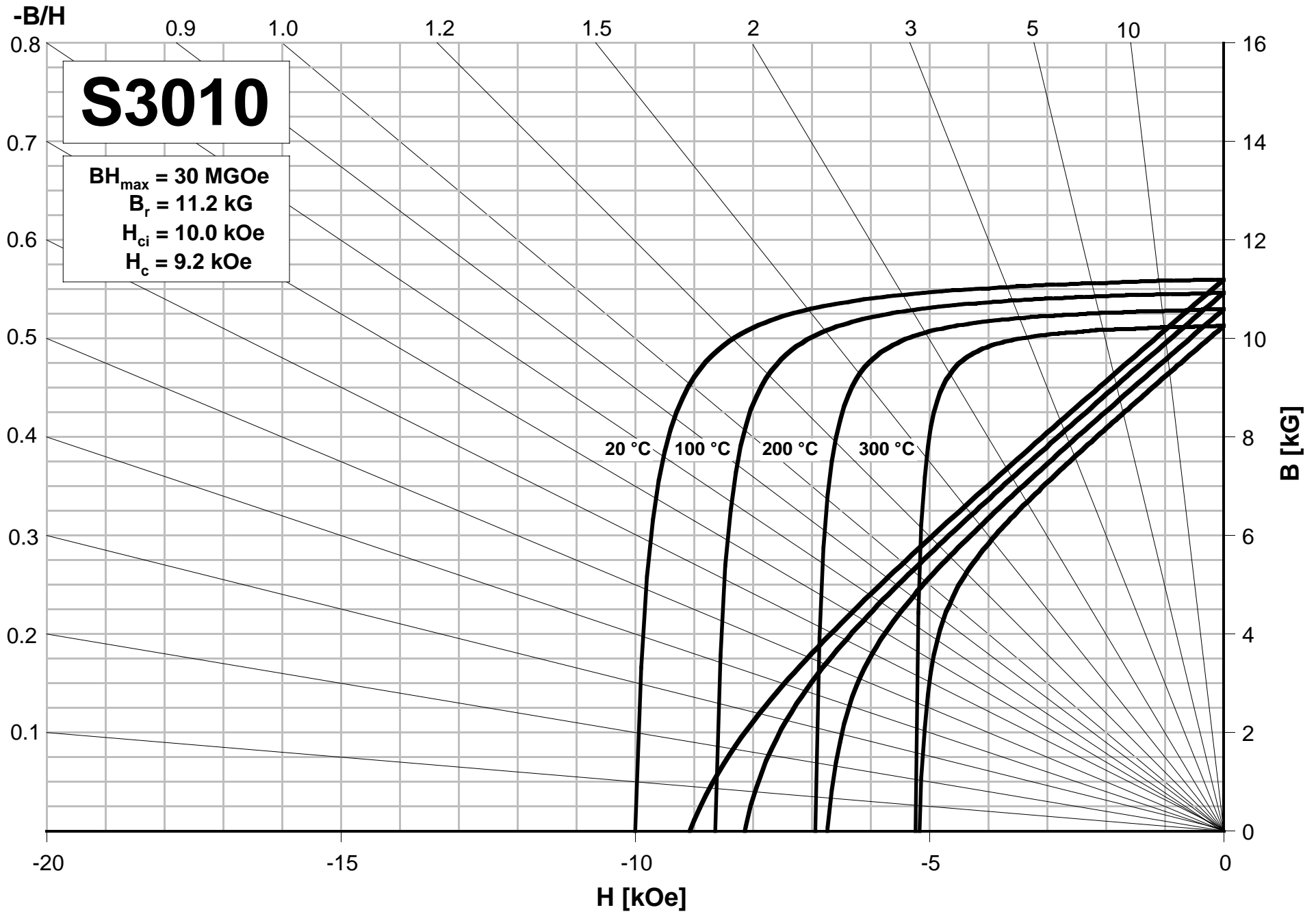
Curie Temperature	800 – 825 °C
Coefficient of Thermal Expansion - Perpendicular	+11.0 – +12.0 x 10 ⁻⁶ °C ⁻¹
Coefficient of Thermal Expansion - Parallel	+9.0 – +10.0 x 10 ⁻⁶ °C ⁻¹
Electrical Resistivity	80 – 90 μΩ·cm
Density	8.3 – 8.4 g·cm ⁻³
Vicker's Hardness	550 – 650 H _v
Young's Modulus	140 – 150 kN·mm ⁻²
Bending Strength	0.09 – 0.15 kN·mm ⁻²
Compressive Strength	0.65 – 0.80 kN·mm ⁻²

Typical Physical Properties - Type 1:5

Curie Temperature	720 – 750 °C
Coefficient of Thermal Expansion - Perpendicular	+12.0 – +13.0 x 10 ⁻⁶ °C ⁻¹
Coefficient of Thermal Expansion - Parallel	+6.0 – +7.0 x 10 ⁻⁶ °C ⁻¹
Electrical Resistivity	50 – 60 μΩ·cm
Density	8.2 – 8.3 g·cm ⁻³
Vicker's Hardness	500 – 550 H _v
Young's Modulus	100 – 110 kN·mm ⁻²
Bending Strength	0.12 – 0.18 kN·mm ⁻²
Compressive Strength	0.9 – 1.0 kN·mm ⁻²

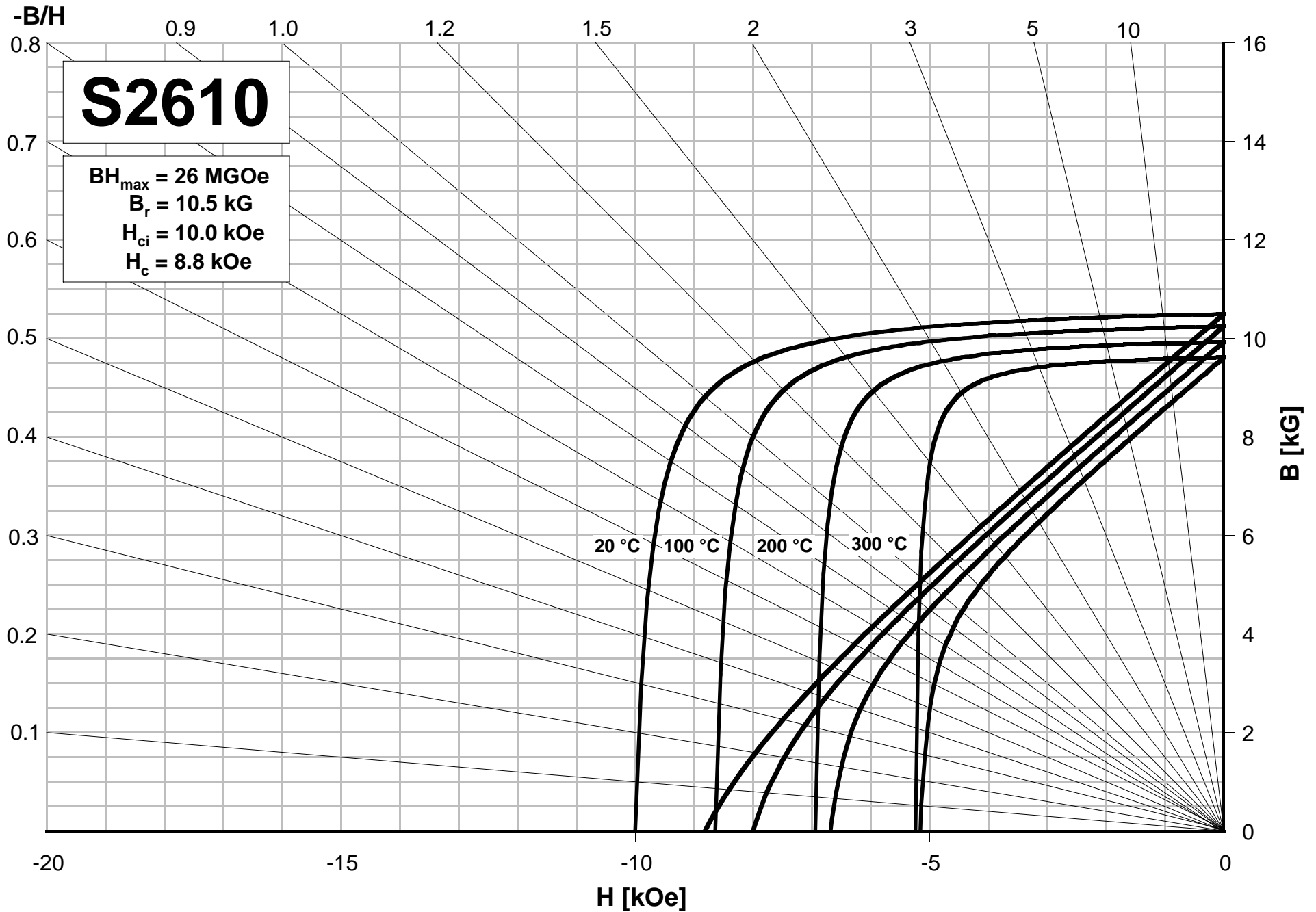
DEXTER MAGNETIC TECHNOLOGIES

Tel: +1-847-956-1140 Email: info@dextermag.com Web: www.dextermag.com



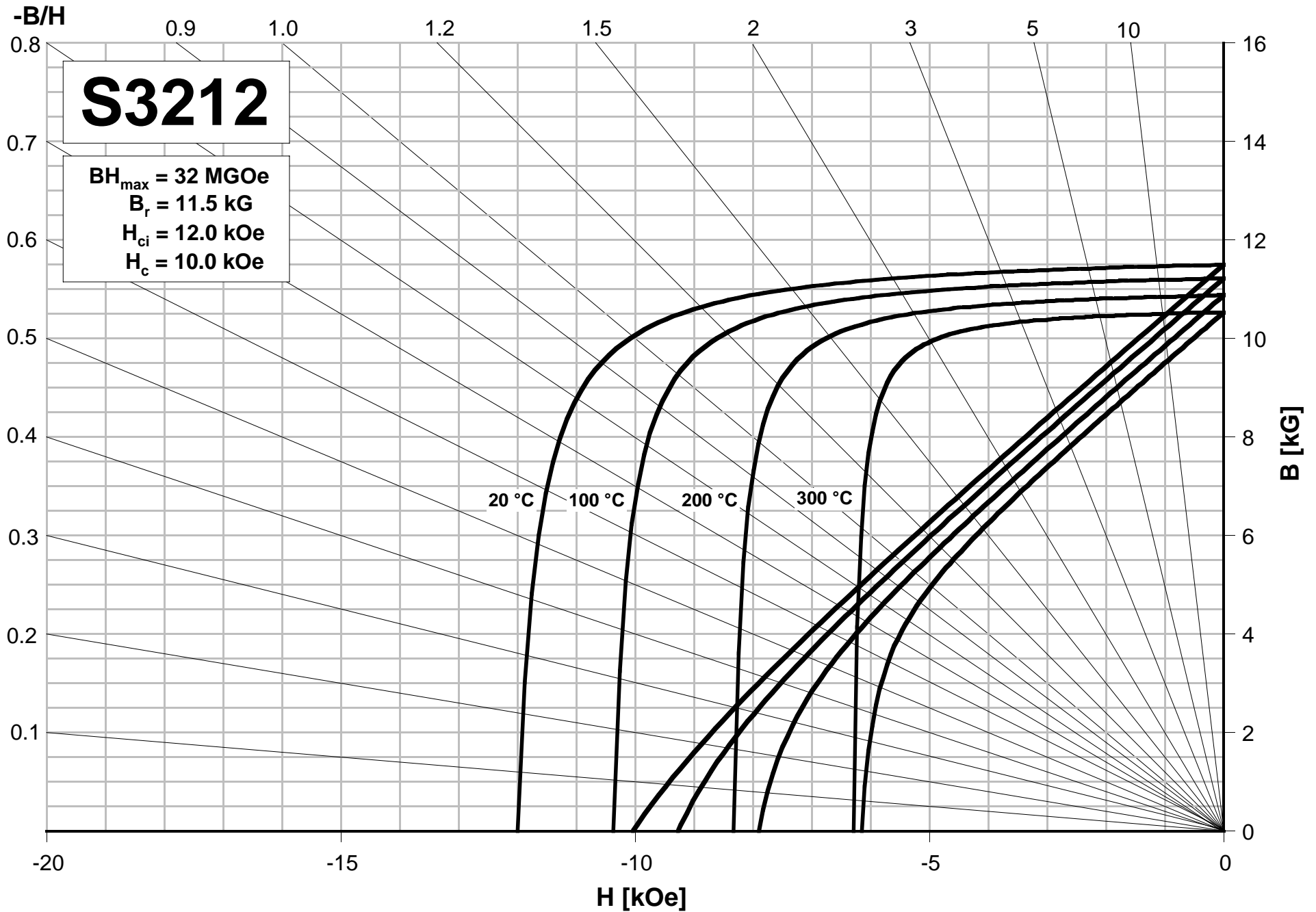
DEXTER MAGNETIC TECHNOLOGIES

Tel: +1-847-956-1140 Email: info@dextermag.com Web: www.dextermag.com



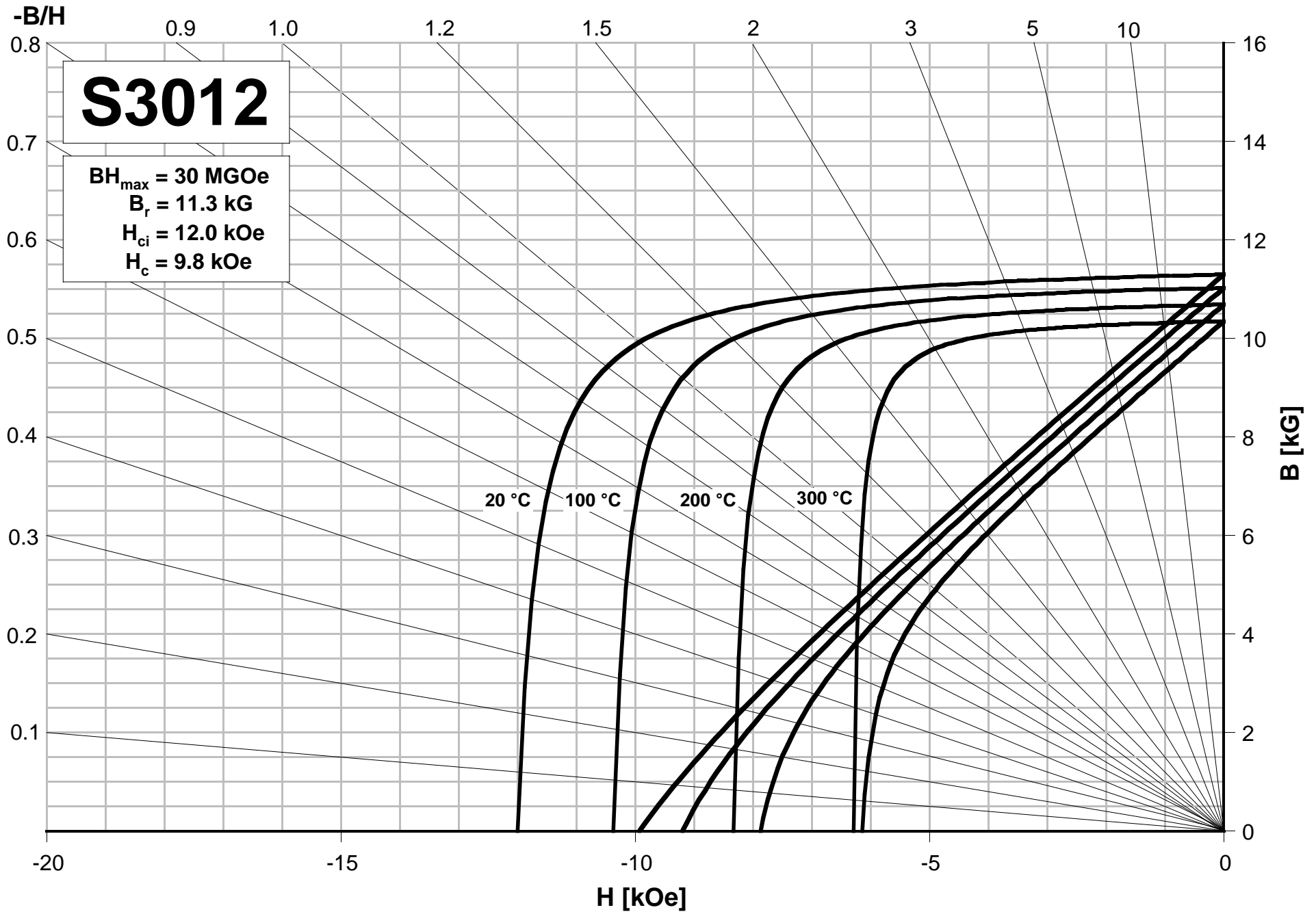
DEXTER MAGNETIC TECHNOLOGIES

Tel: +1-847-956-1140 Email: info@dextermag.com Web: www.dextermag.com



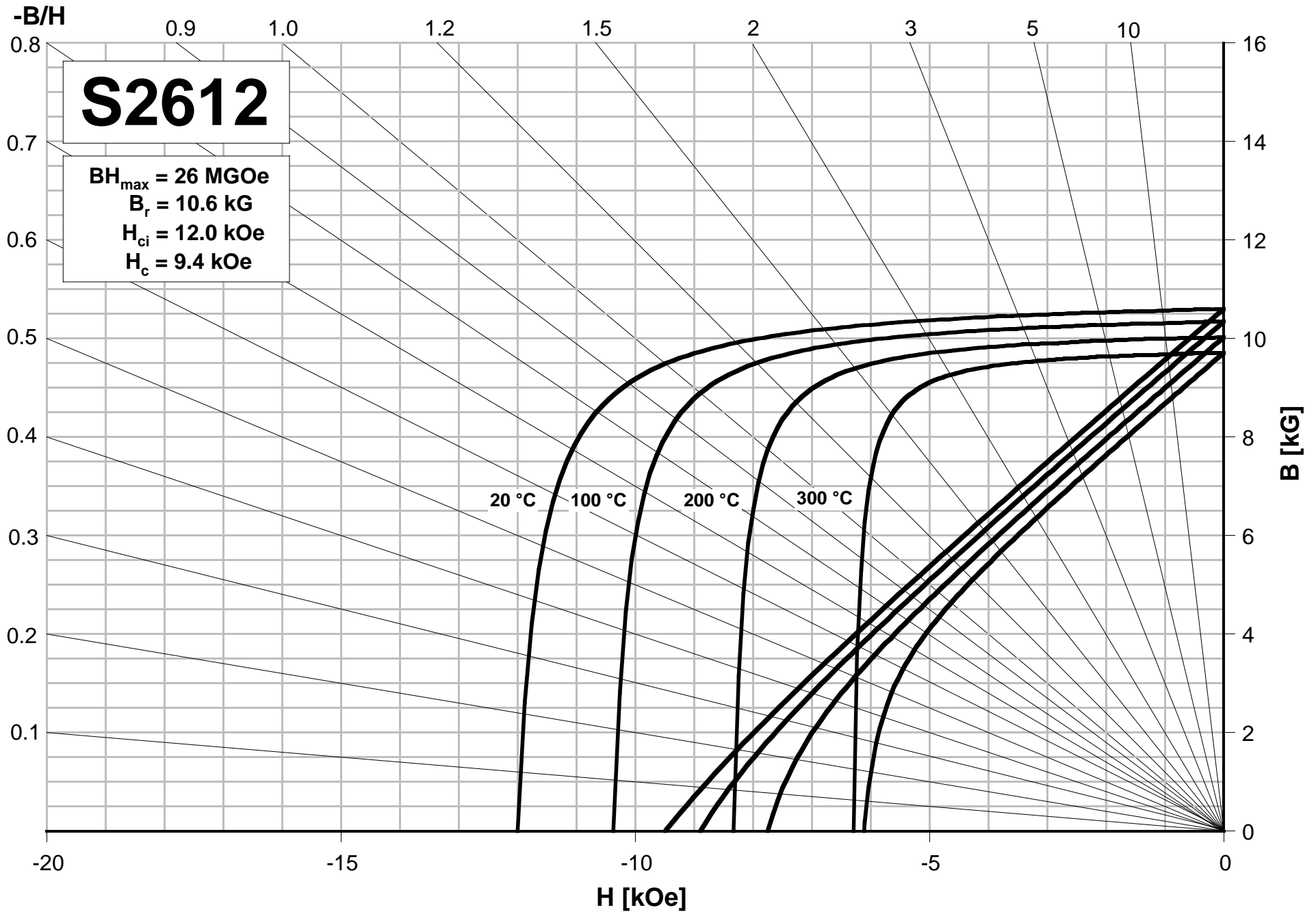
DEXTER MAGNETIC TECHNOLOGIES

Tel: +1-847-956-1140 Email: info@dextermag.com Web: www.dextermag.com



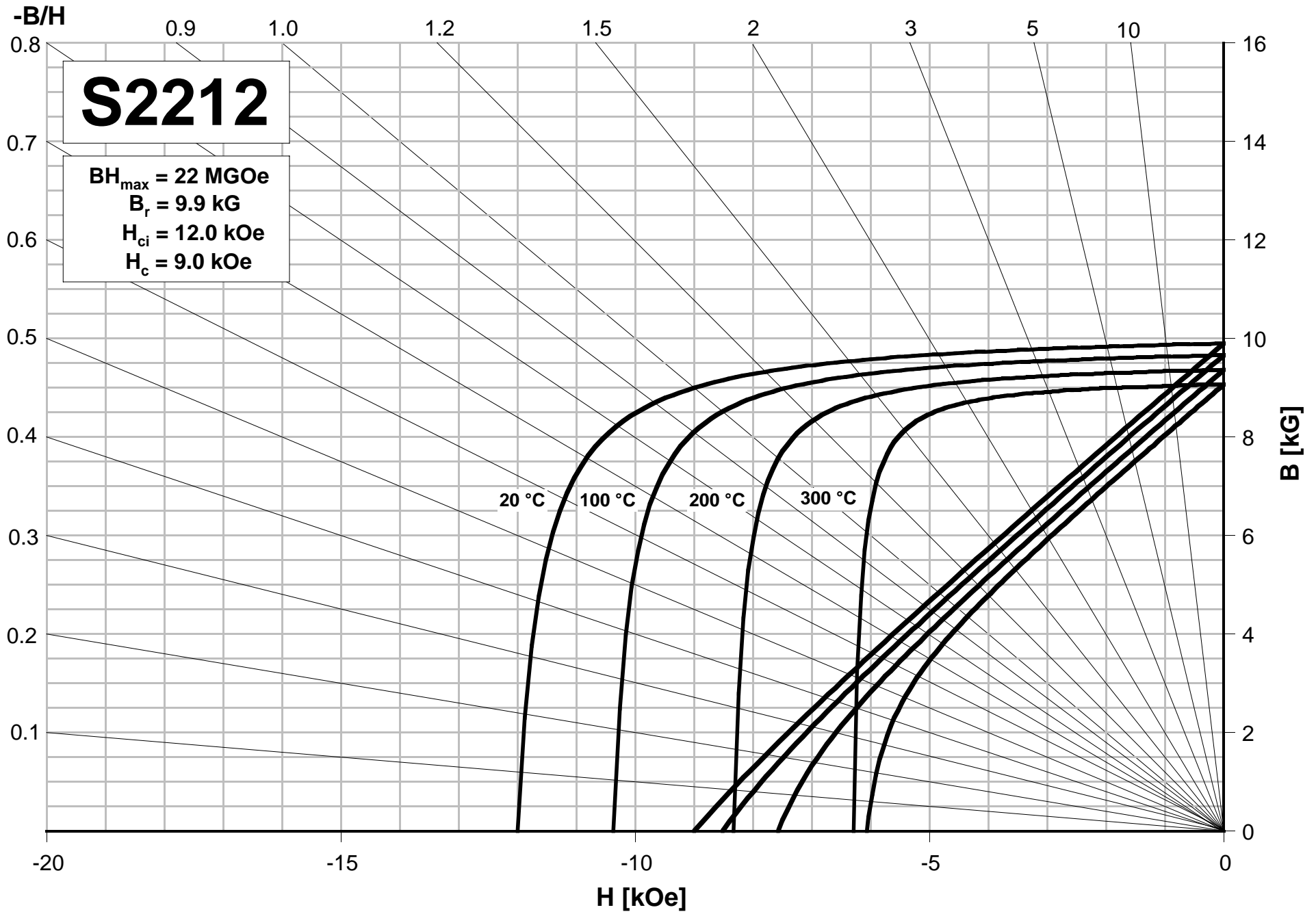
DEXTER MAGNETIC TECHNOLOGIES

Tel: +1-847-956-1140 Email: info@dextermag.com Web: www.dextermag.com



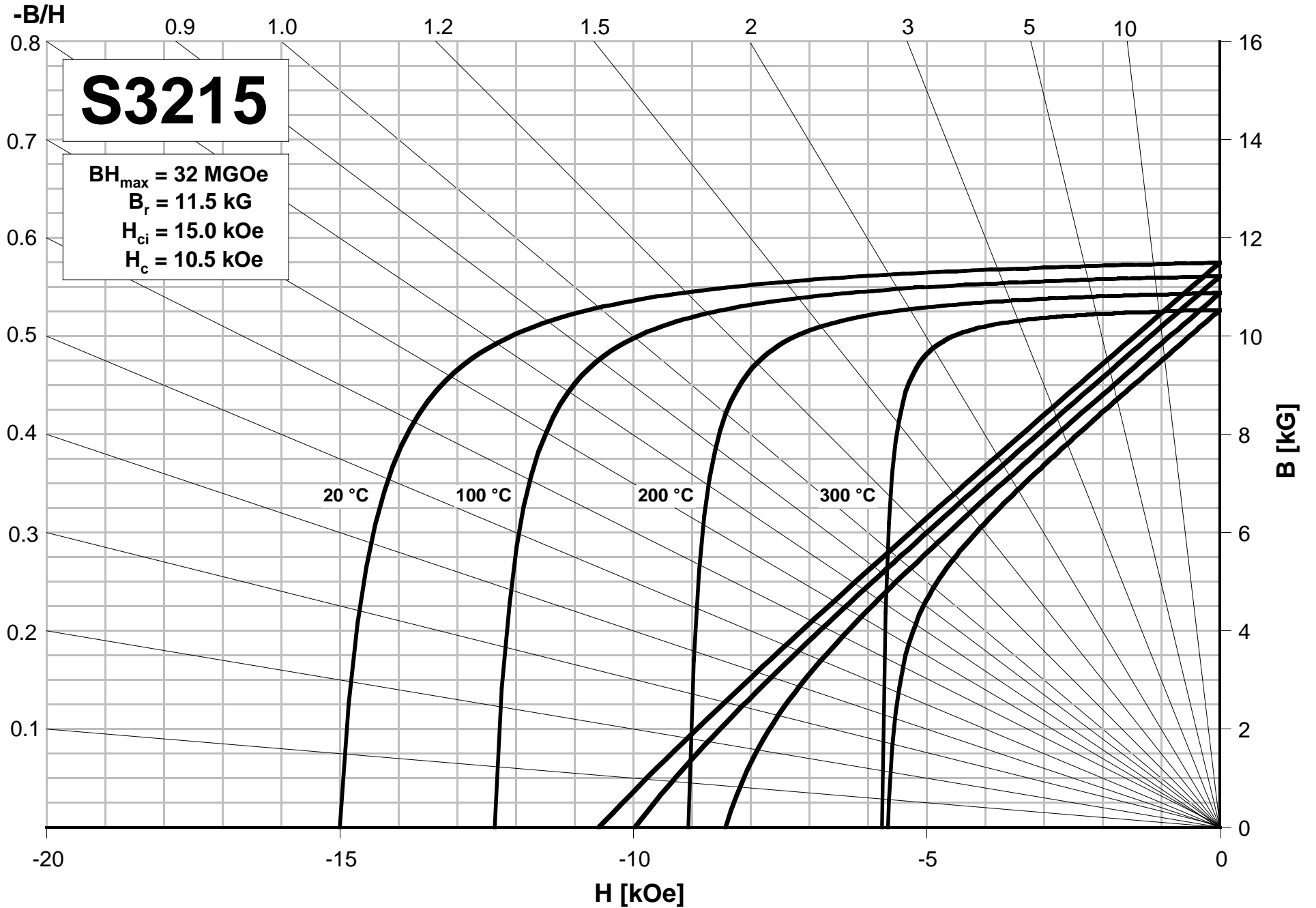
DEXTER MAGNETIC TECHNOLOGIES

Tel: +1-847-956-1140 Email: info@dextermag.com Web: www.dextermag.com



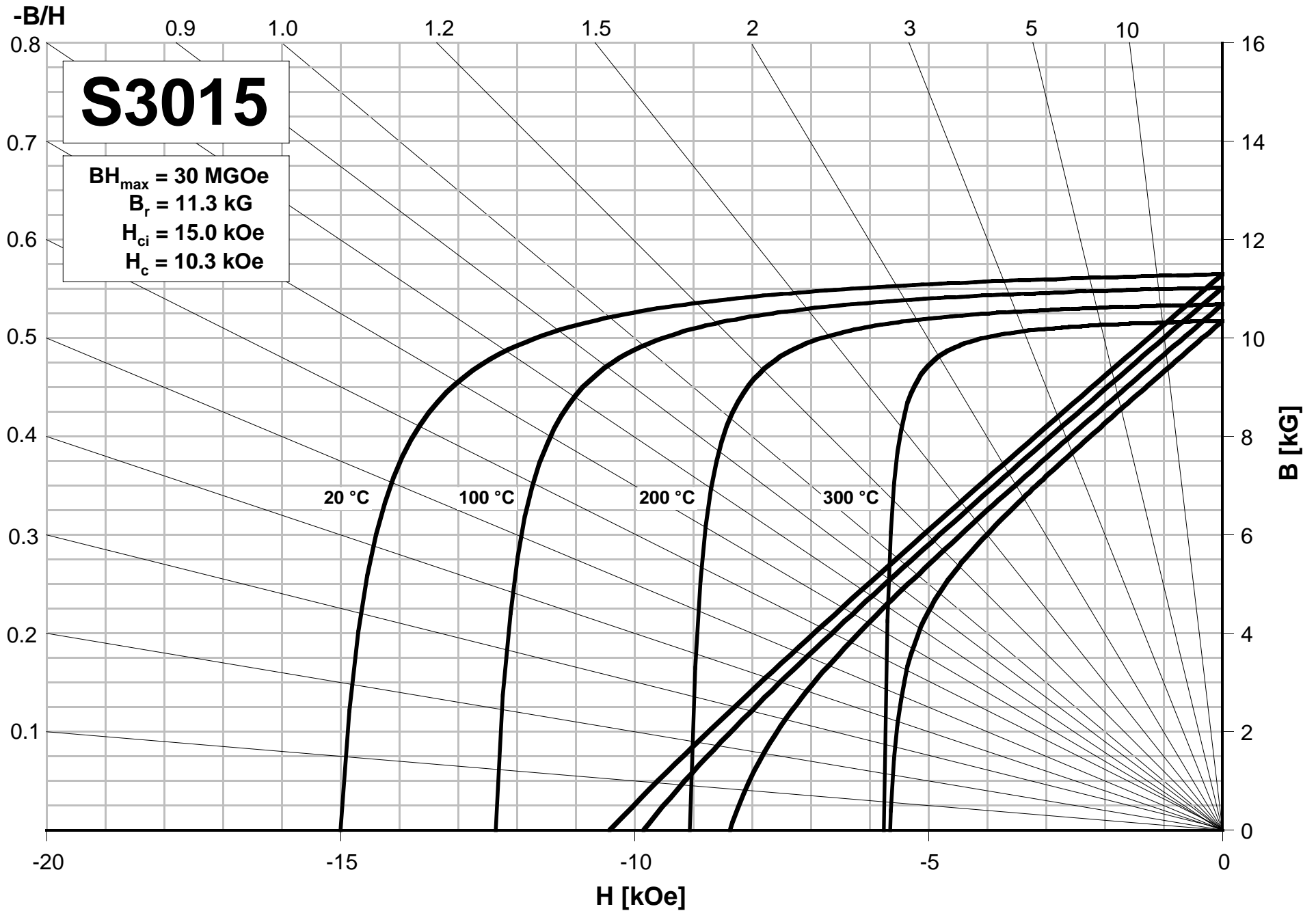
DEXTER MAGNETIC TECHNOLOGIES

Tel: +1-847-956-1140 Email: info@dextermag.com Web: www.dextermag.com



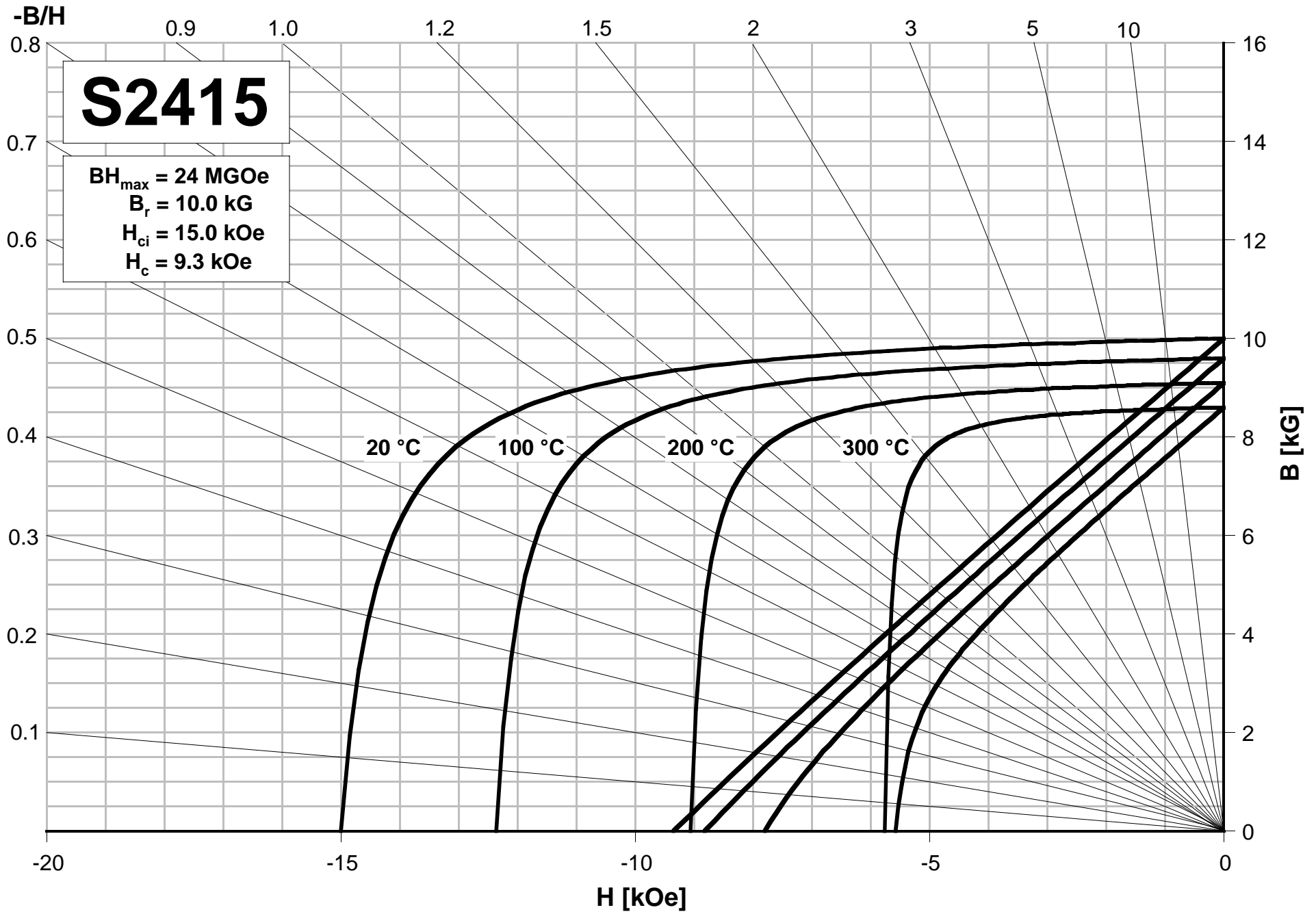
DEXTER MAGNETIC TECHNOLOGIES

Tel: +1-847-956-1140 Email: info@dextermag.com Web: www.dextermag.com



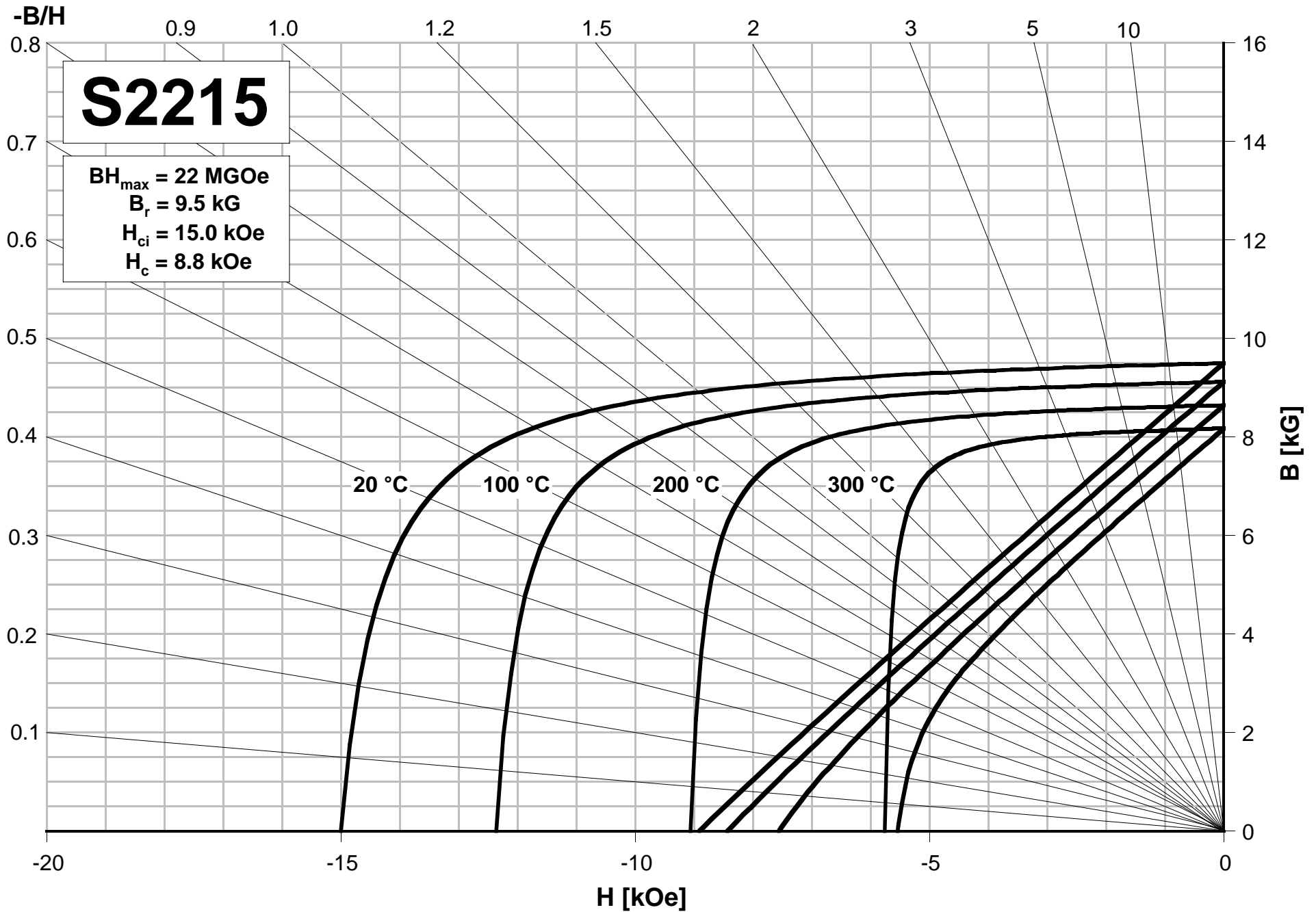
DEXTER MAGNETIC TECHNOLOGIES

Tel: +1-847-956-1140 Email: info@dextermag.com Web: www.dextermag.com



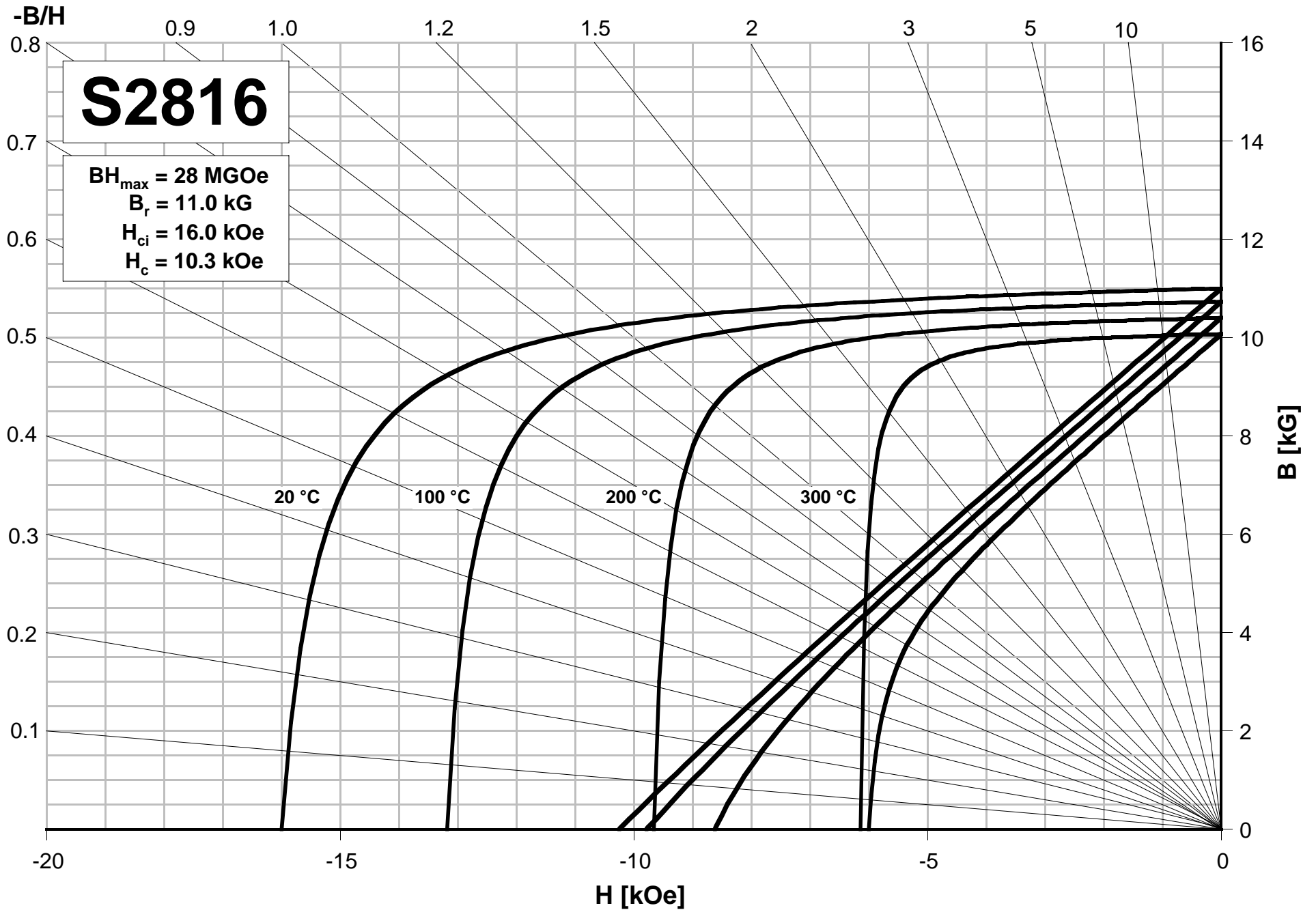
DEXTER MAGNETIC TECHNOLOGIES

Tel: +1-847-956-1140 Email: info@dextermag.com Web: www.dextermag.com



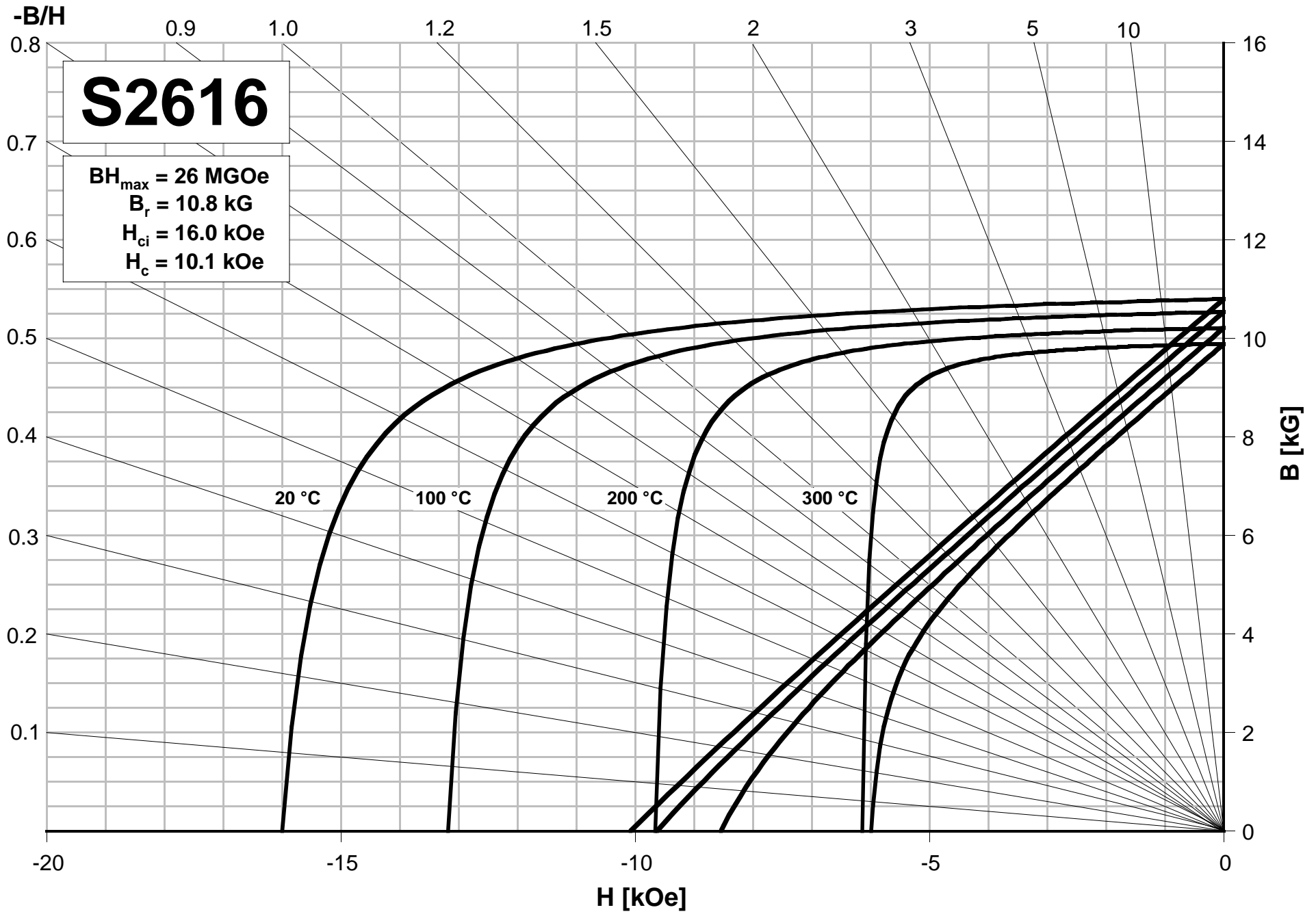
DEXTER MAGNETIC TECHNOLOGIES

Tel: +1-847-956-1140 Email: info@dextermag.com Web: www.dextermag.com



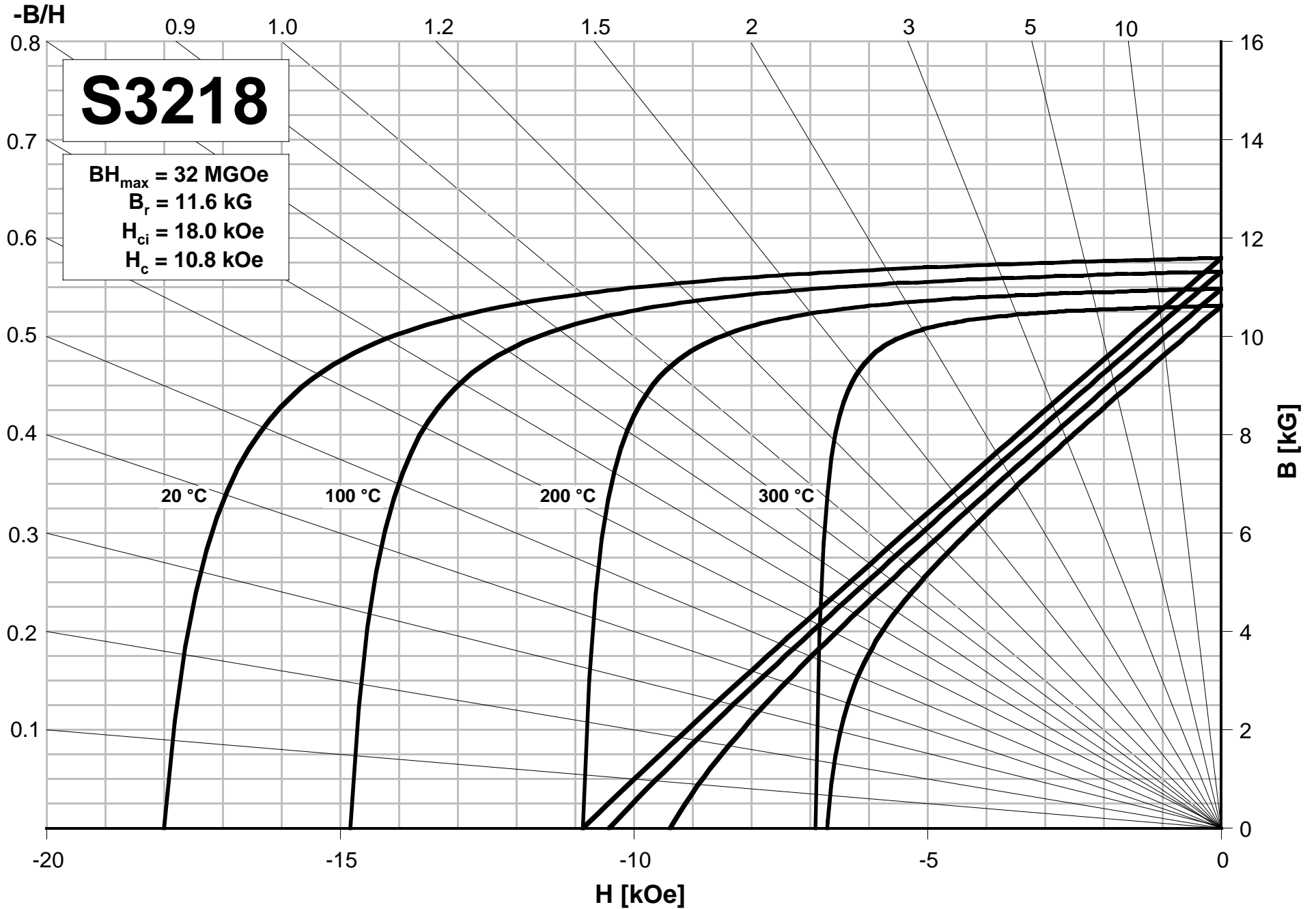
DEXTER MAGNETIC TECHNOLOGIES

Tel: +1-847-956-1140 Email: info@dextermag.com Web: www.dextermag.com



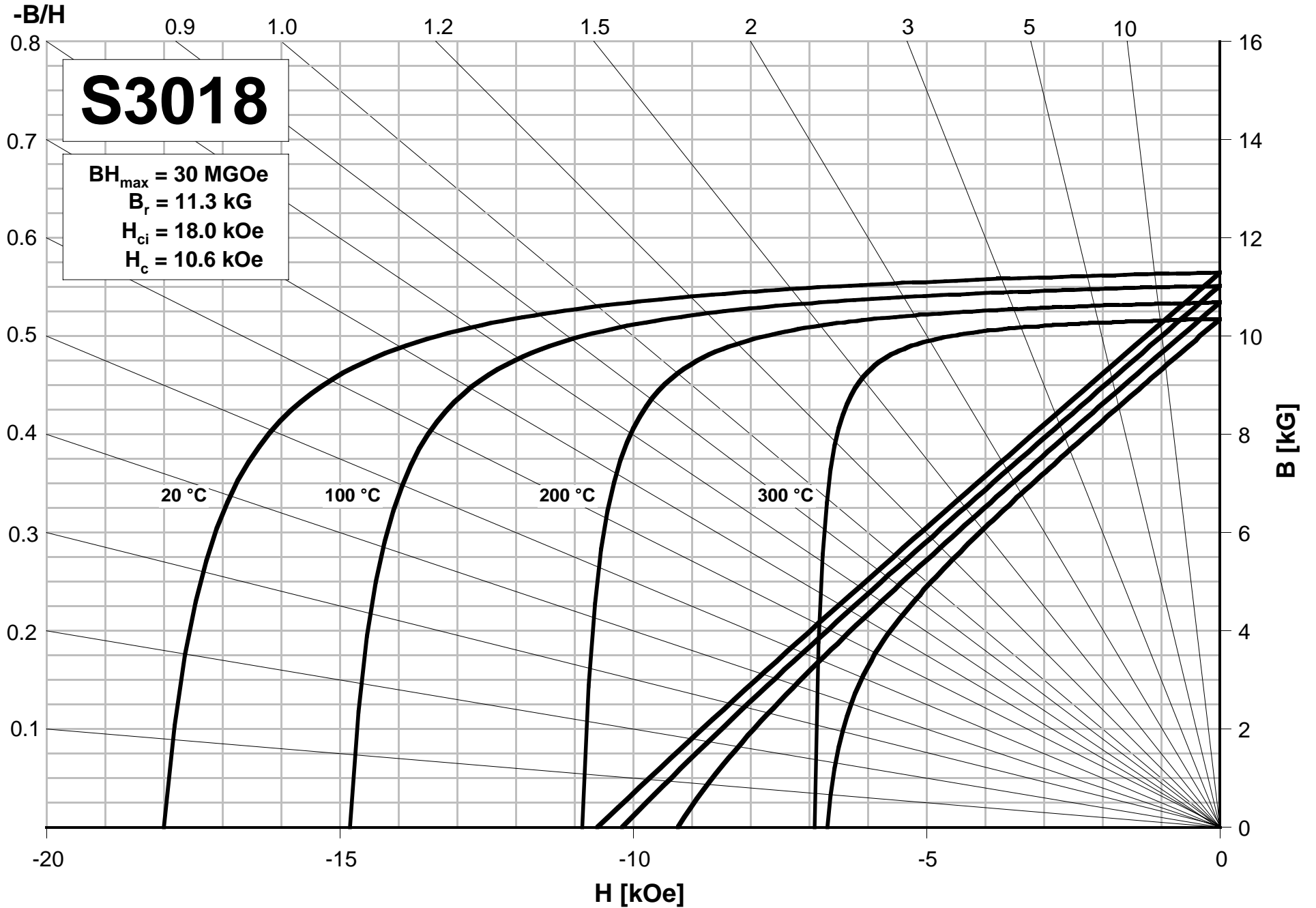
DEXTER MAGNETIC TECHNOLOGIES

Tel: +1-847-956-1140 Email: info@dextermag.com Web: www.dextermag.com



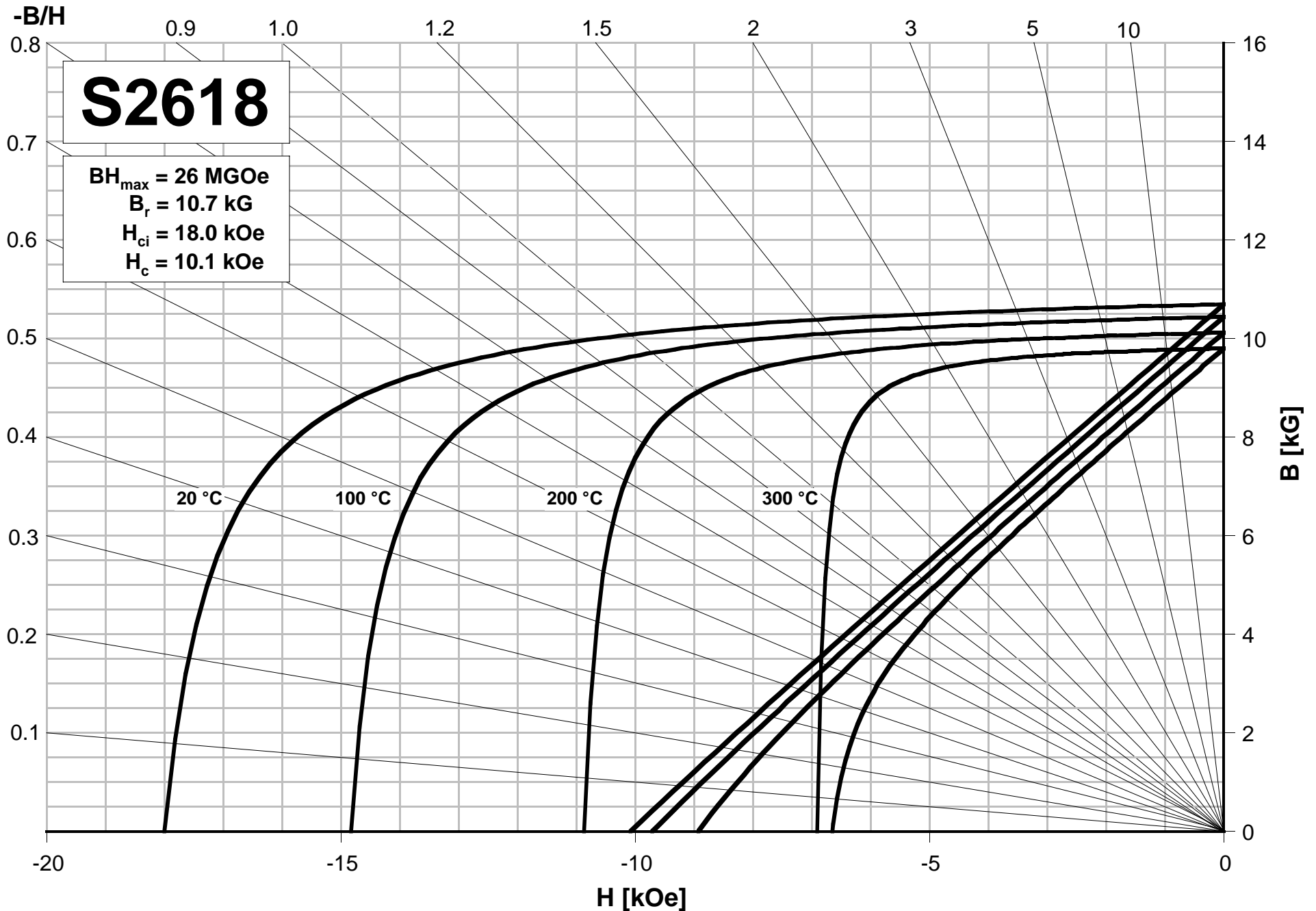
DEXTER MAGNETIC TECHNOLOGIES

Tel: +1-847-956-1140 Email: info@dextermag.com Web: www.dextermag.com



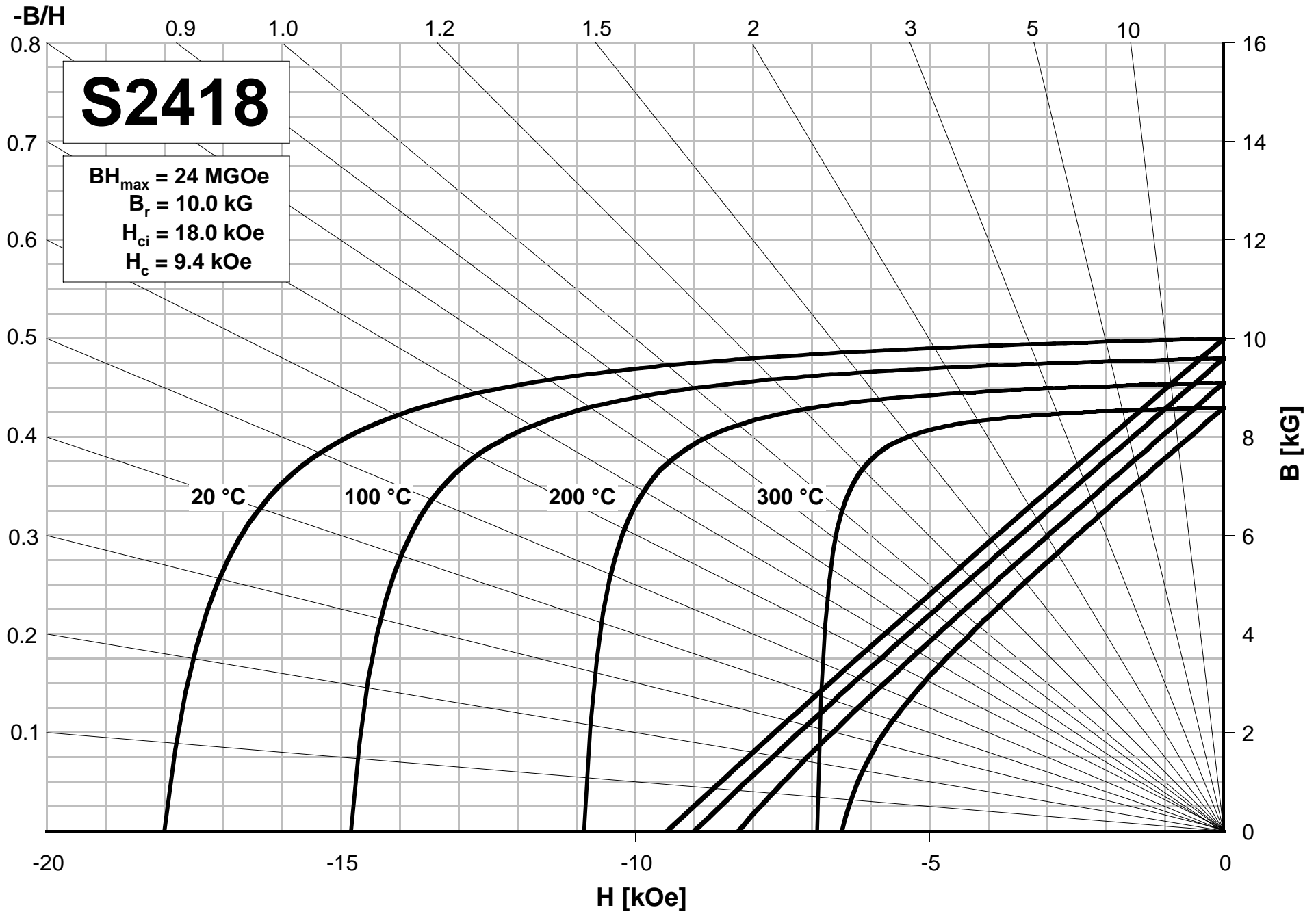
DEXTER MAGNETIC TECHNOLOGIES

Tel: +1-847-956-1140 Email: info@dextermag.com Web: www.dextermag.com



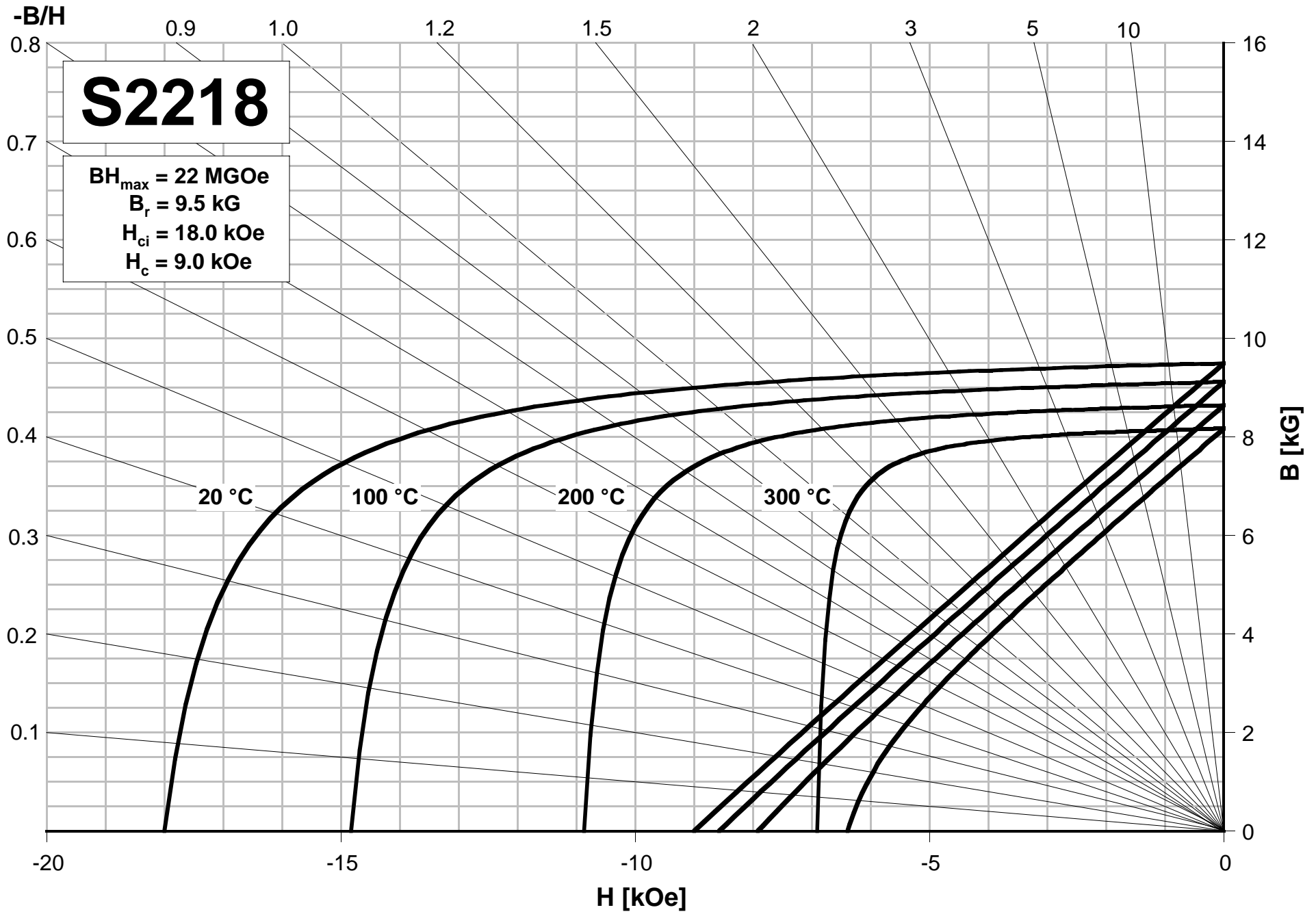
DEXTER MAGNETIC TECHNOLOGIES

Tel: +1-847-956-1140 Email: info@dextermag.com Web: www.dextermag.com



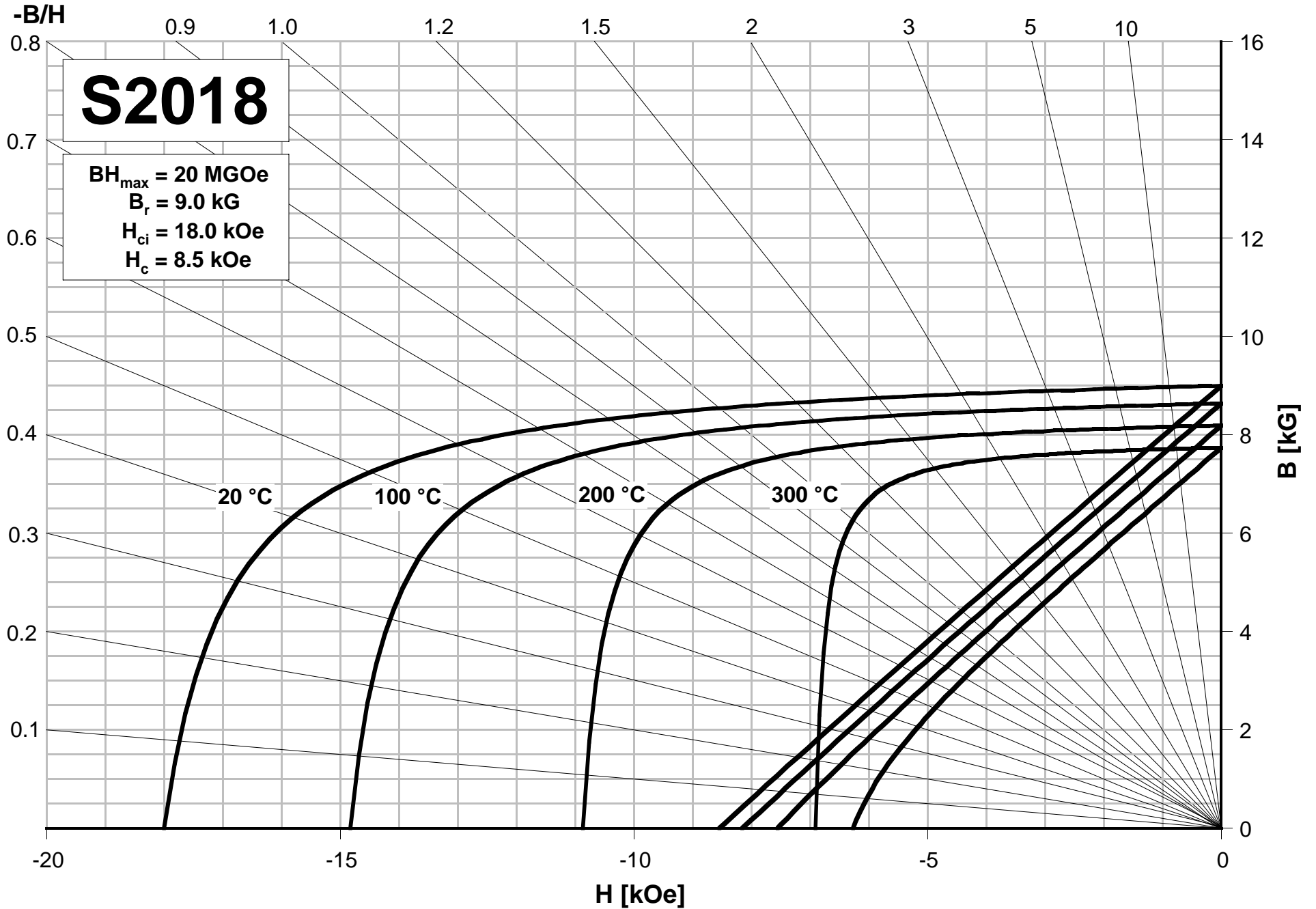
DEXTER MAGNETIC TECHNOLOGIES

Tel: +1-847-956-1140 Email: info@dextermag.com Web: www.dextermag.com



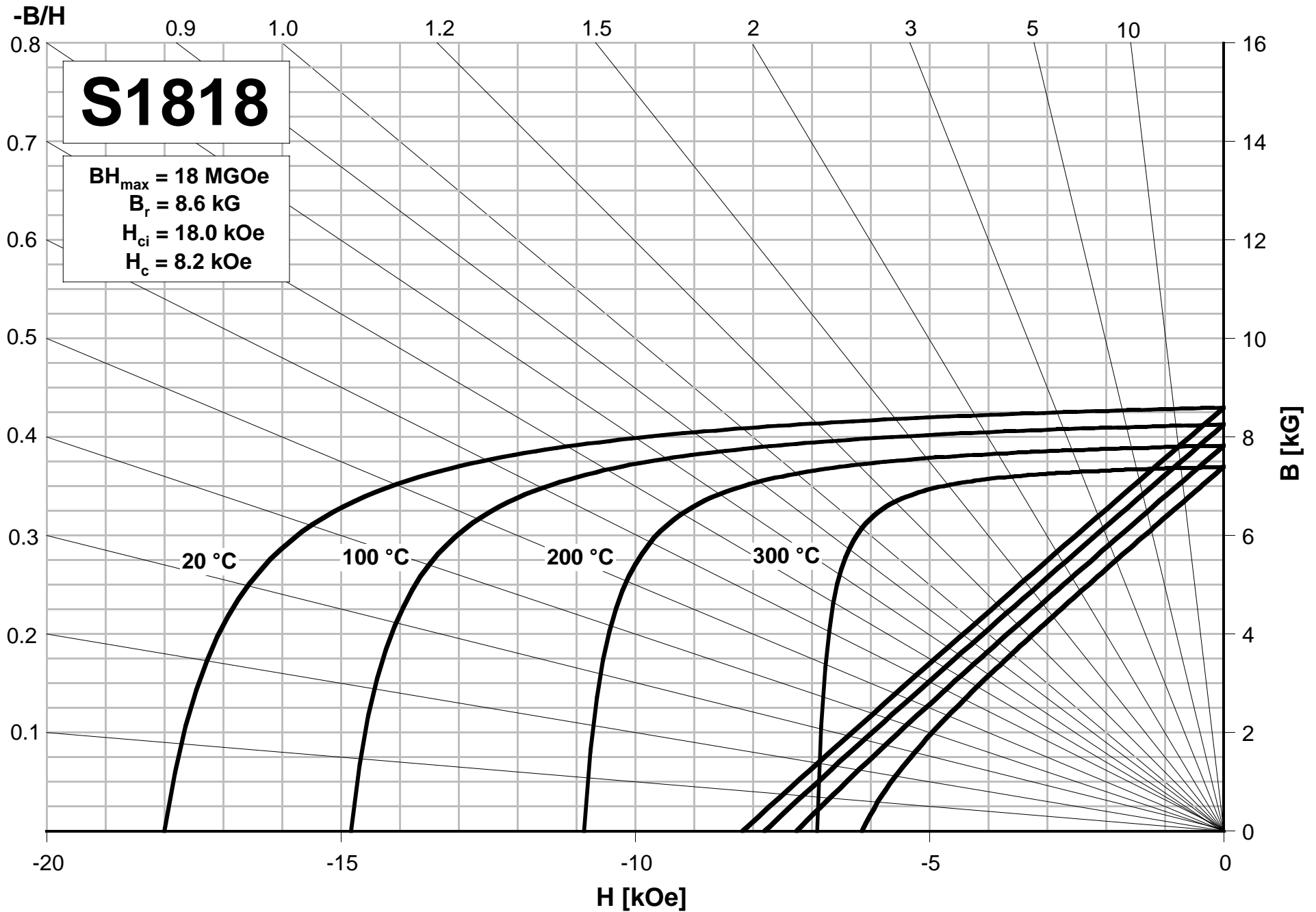
DEXTER MAGNETIC TECHNOLOGIES

Tel: +1-847-956-1140 Email: info@dextermag.com Web: www.dextermag.com



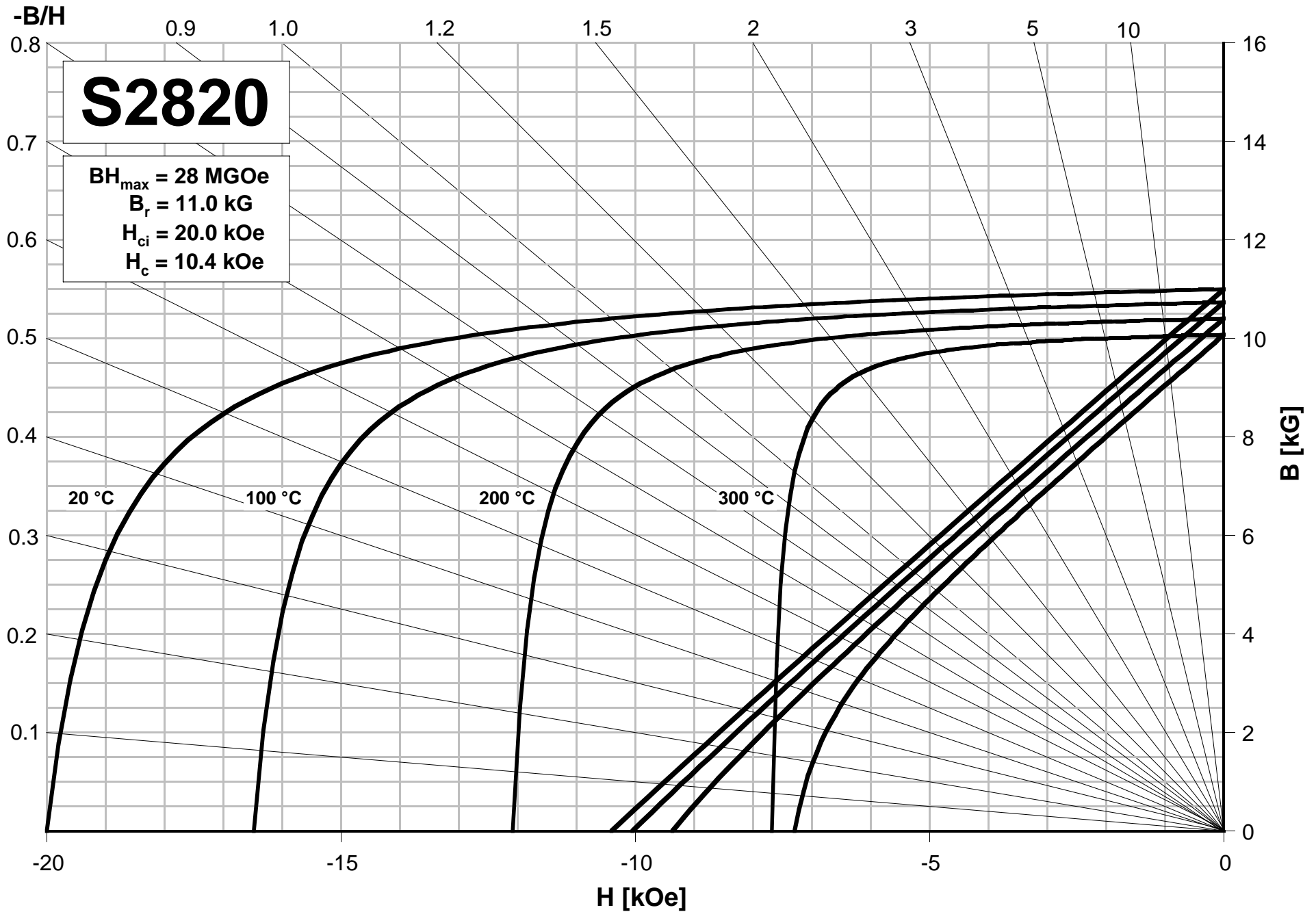
DEXTER MAGNETIC TECHNOLOGIES

Tel: +1-847-956-1140 Email: info@dextermag.com Web: www.dextermag.com



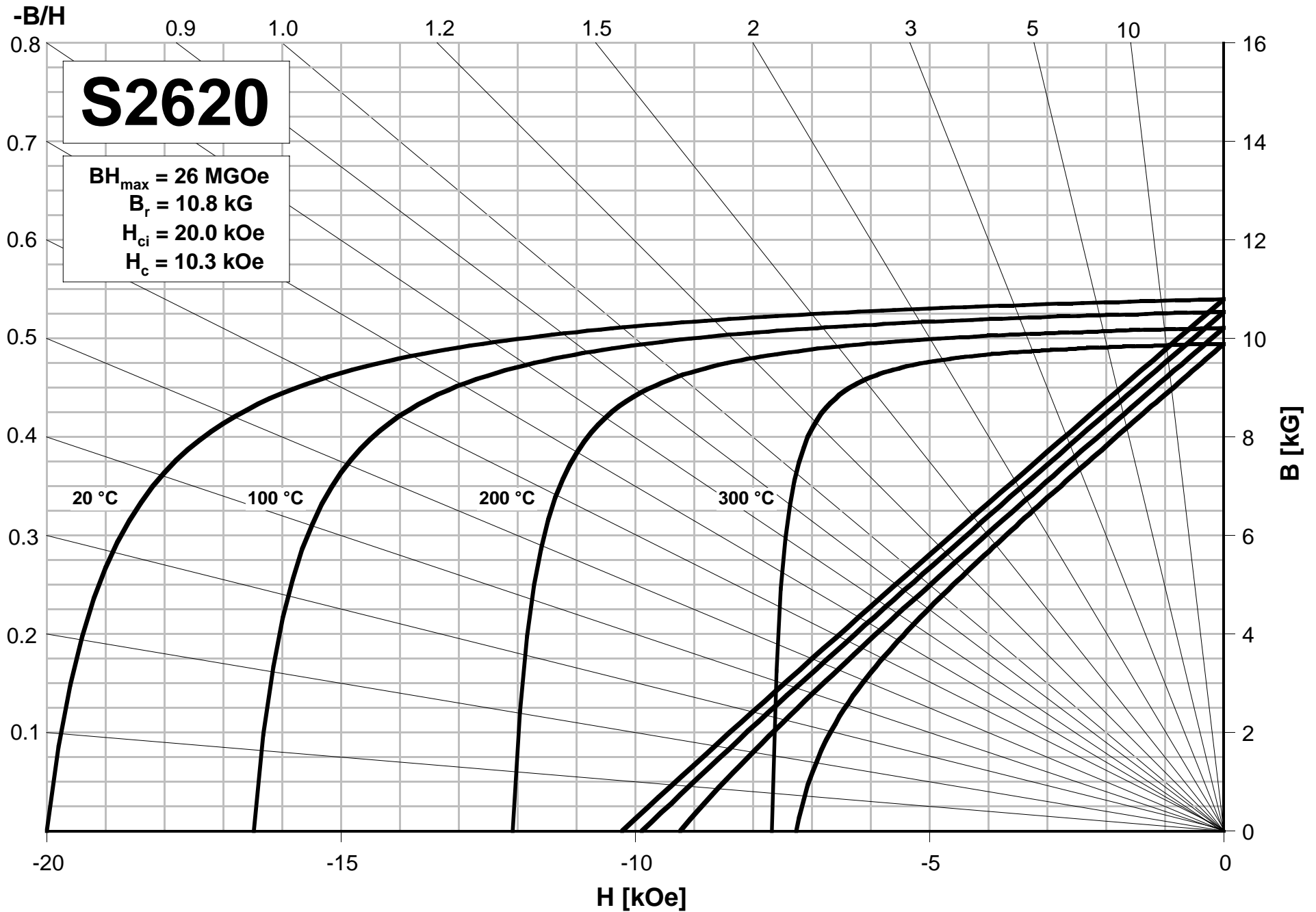
DEXTER MAGNETIC TECHNOLOGIES

Tel: +1-847-956-1140 Email: info@dextermag.com Web: www.dextermag.com



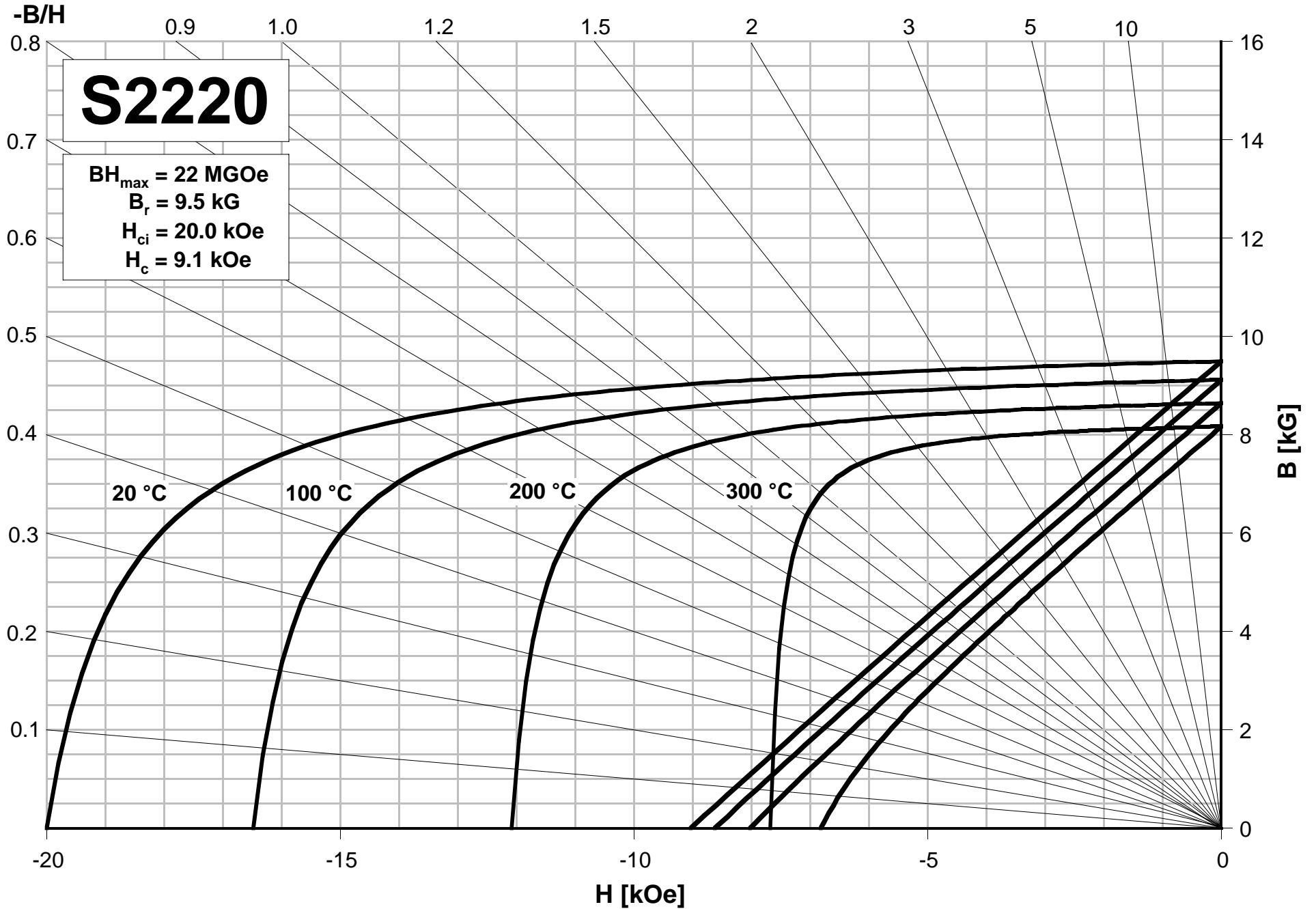
DEXTER MAGNETIC TECHNOLOGIES

Tel: +1-847-956-1140 Email: info@dextermag.com Web: www.dextermag.com



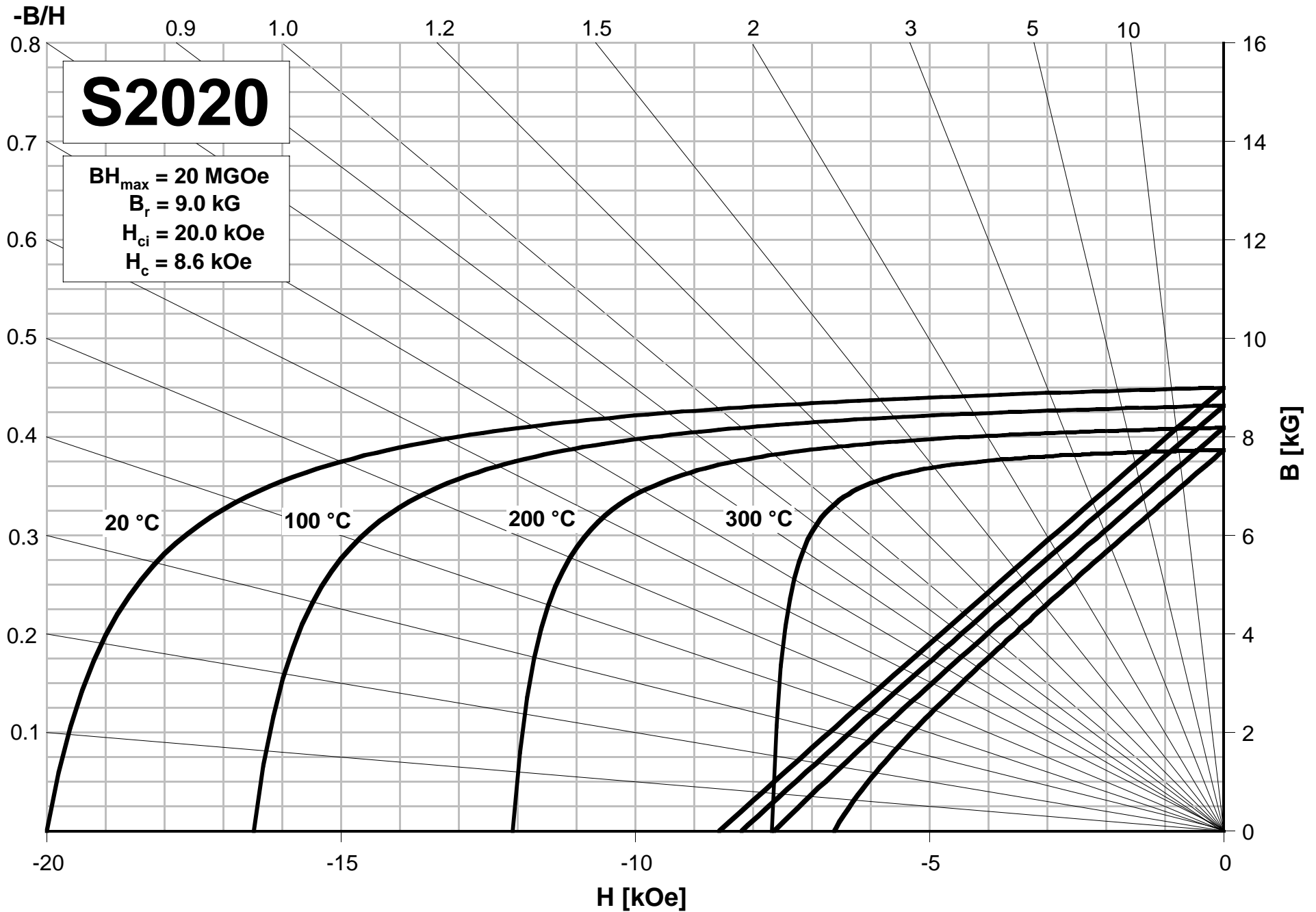
DEXTER MAGNETIC TECHNOLOGIES

Tel: +1-847-956-1140 Email: info@dextermag.com Web: www.dextermag.com



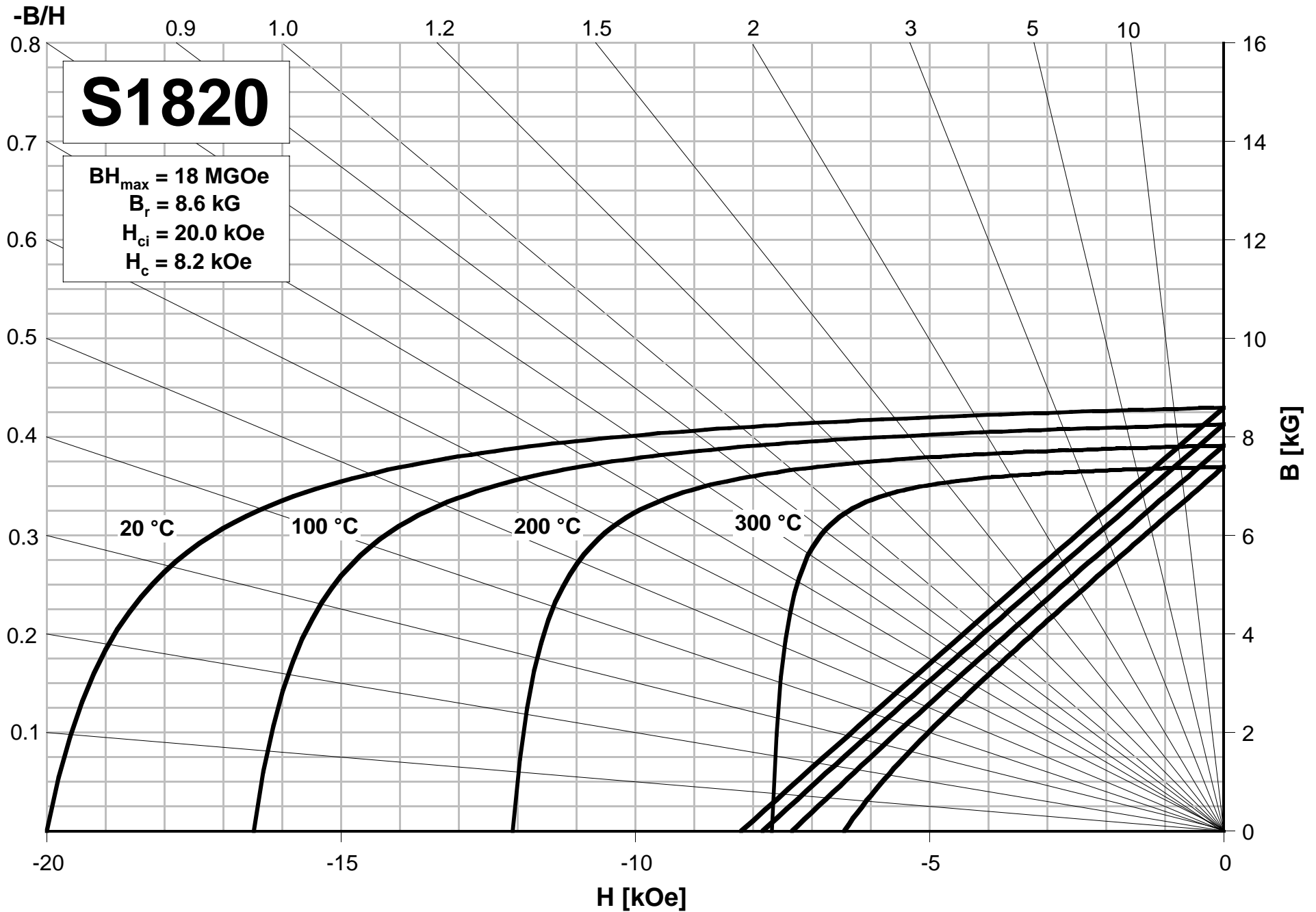
DEXTER MAGNETIC TECHNOLOGIES

Tel: +1-847-956-1140 Email: info@dextermag.com Web: www.dextermag.com



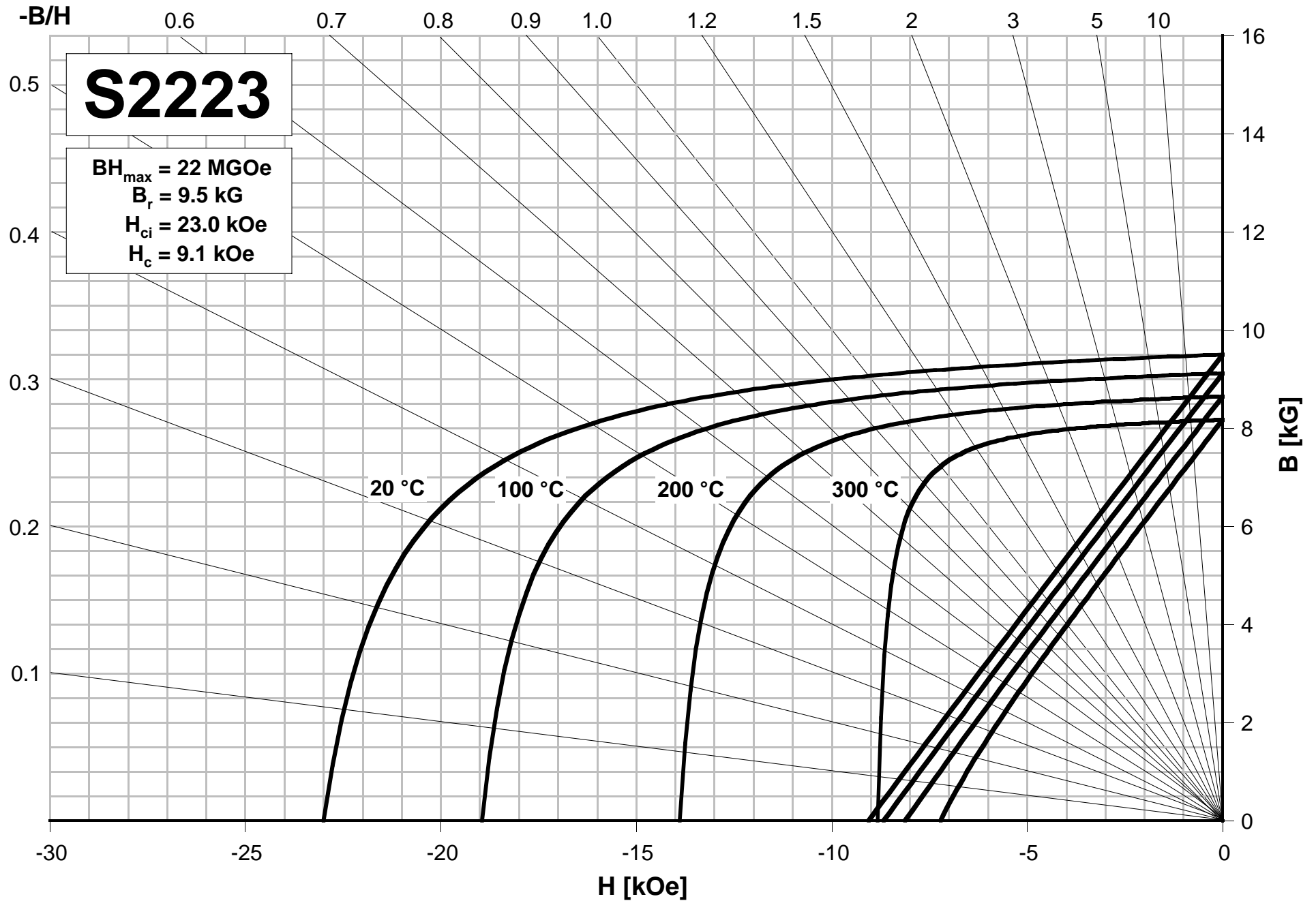
DEXTER MAGNETIC TECHNOLOGIES

Tel: +1-847-956-1140 Email: info@dextermag.com Web: www.dextermag.com



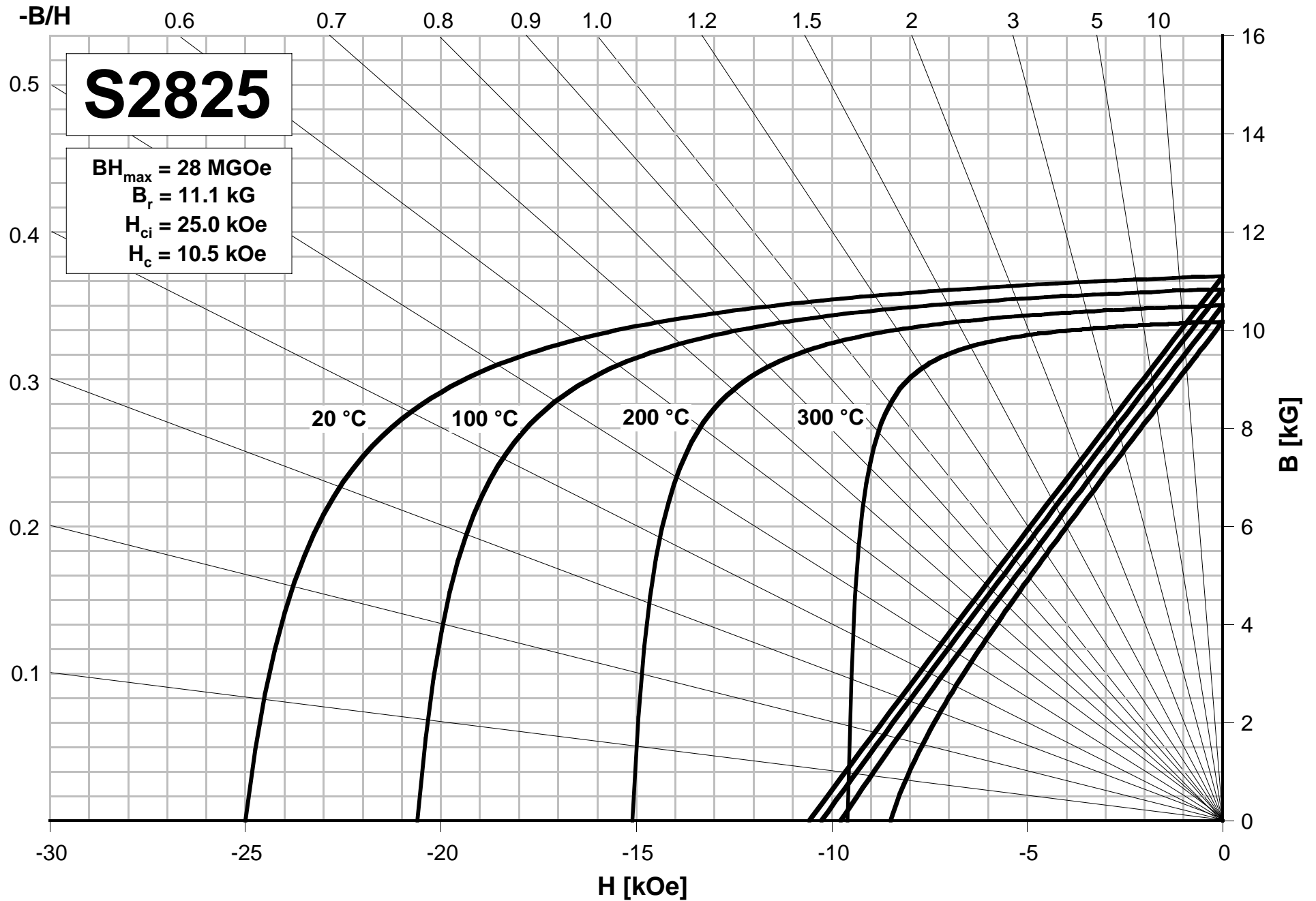
DEXTER MAGNETIC TECHNOLOGIES

Tel: +1-847-956-1140 Email: info@dextermag.com Web: www.dextermag.com



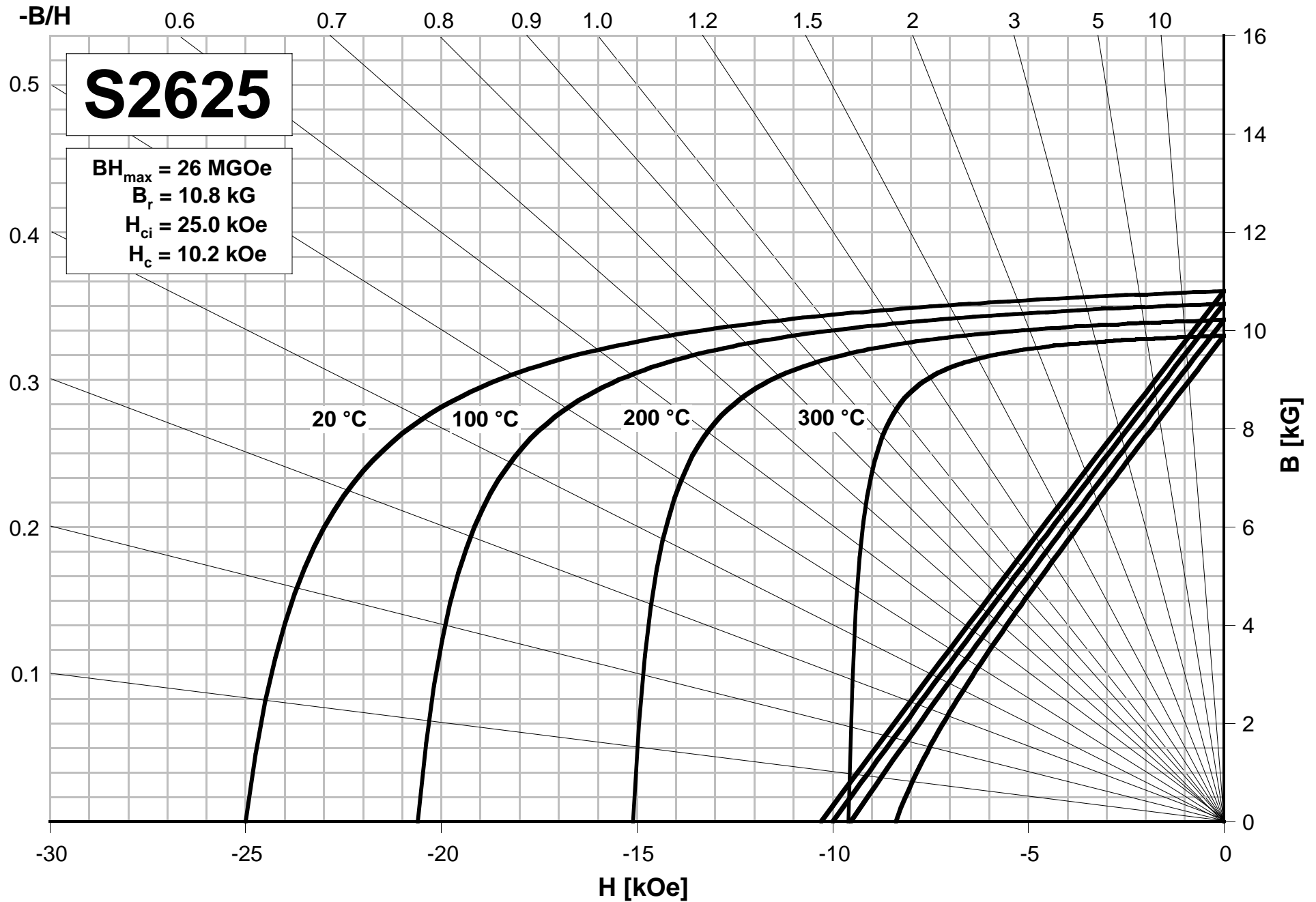
DEXTER MAGNETIC TECHNOLOGIES

Tel: +1-847-956-1140 Email: info@dextermag.com Web: www.dextermag.com



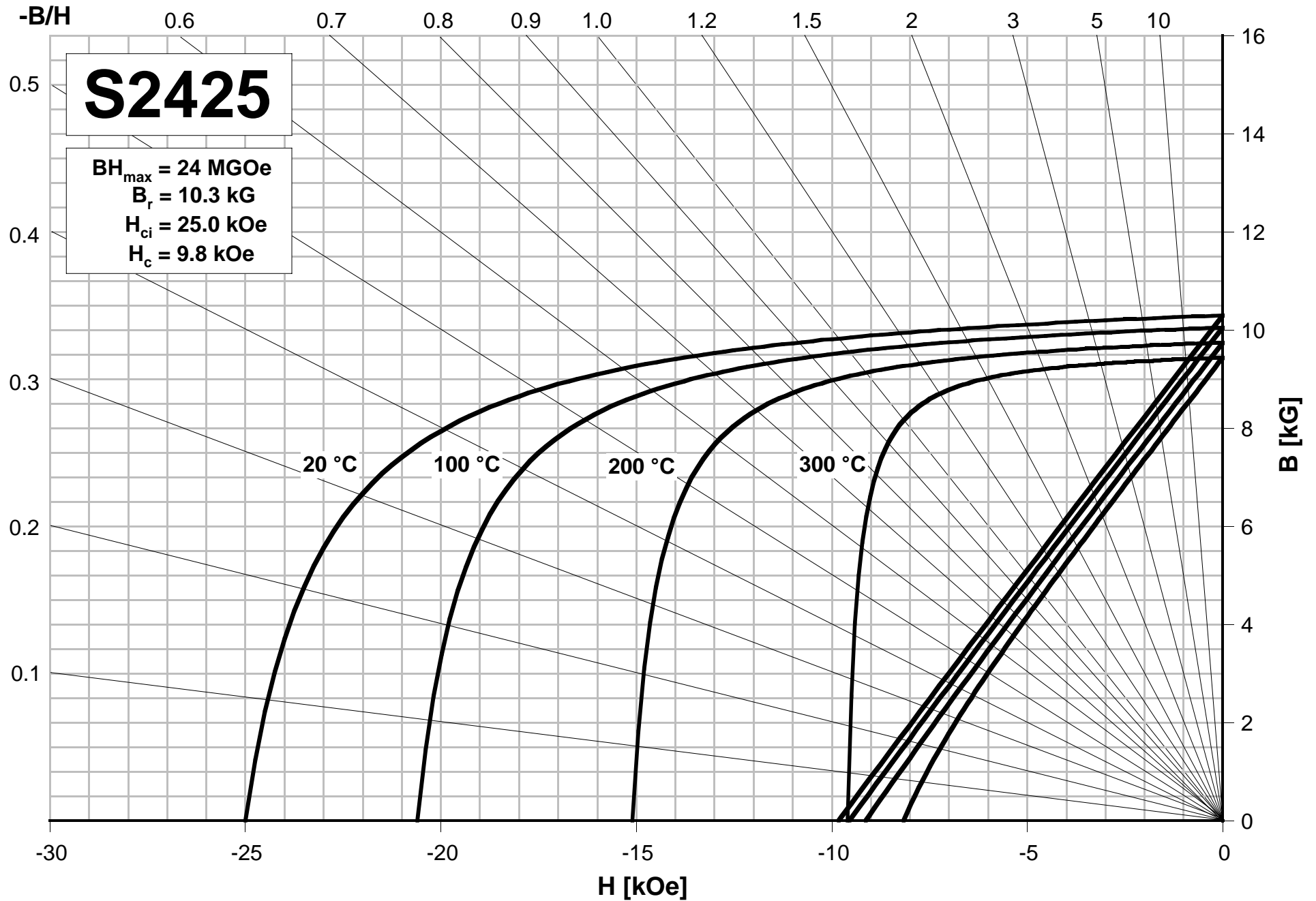
DEXTER MAGNETIC TECHNOLOGIES

Tel: +1-847-956-1140 Email: info@dextermag.com Web: www.dextermag.com



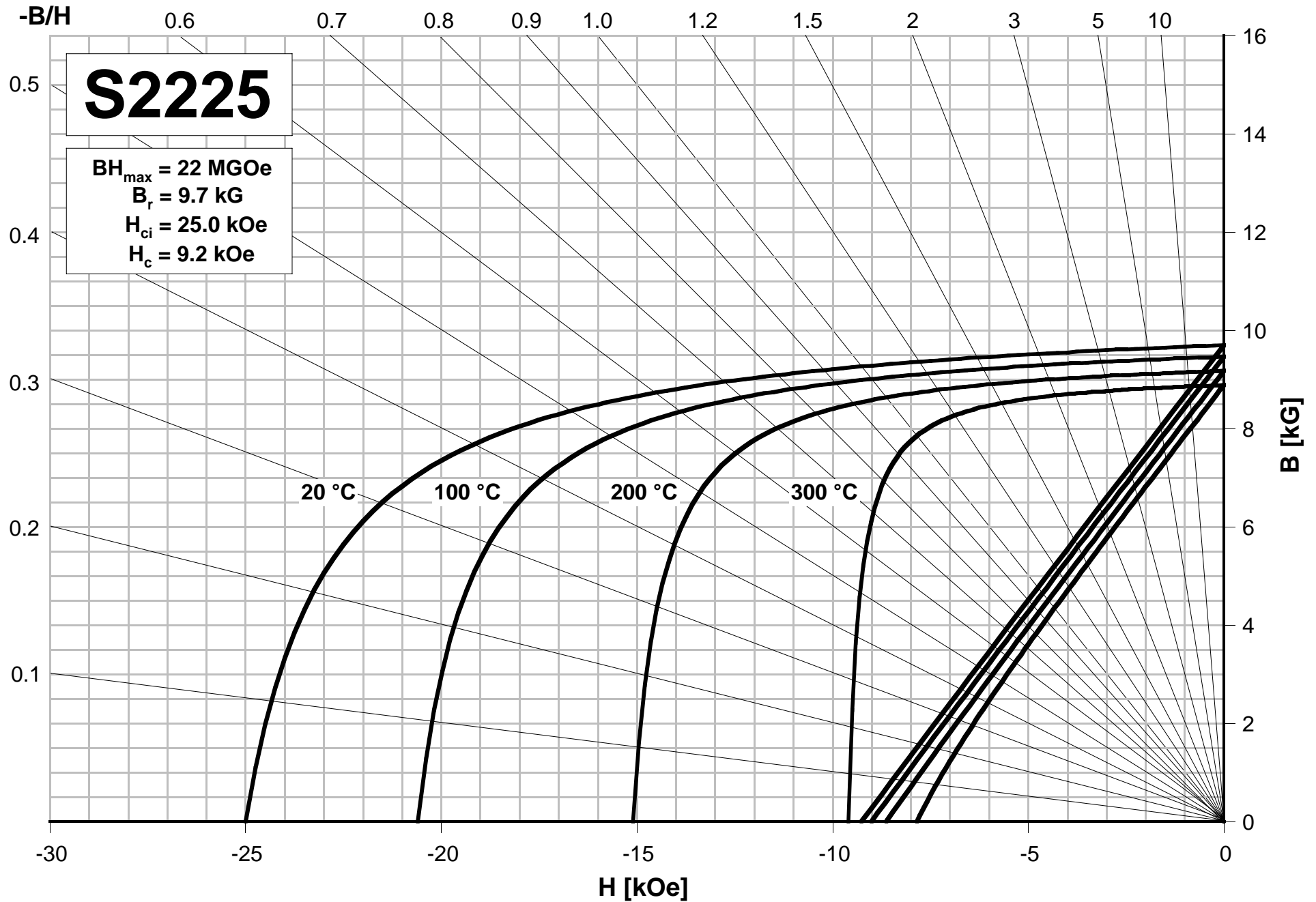
DEXTER MAGNETIC TECHNOLOGIES

Tel: +1-847-956-1140 Email: info@dextermag.com Web: www.dextermag.com



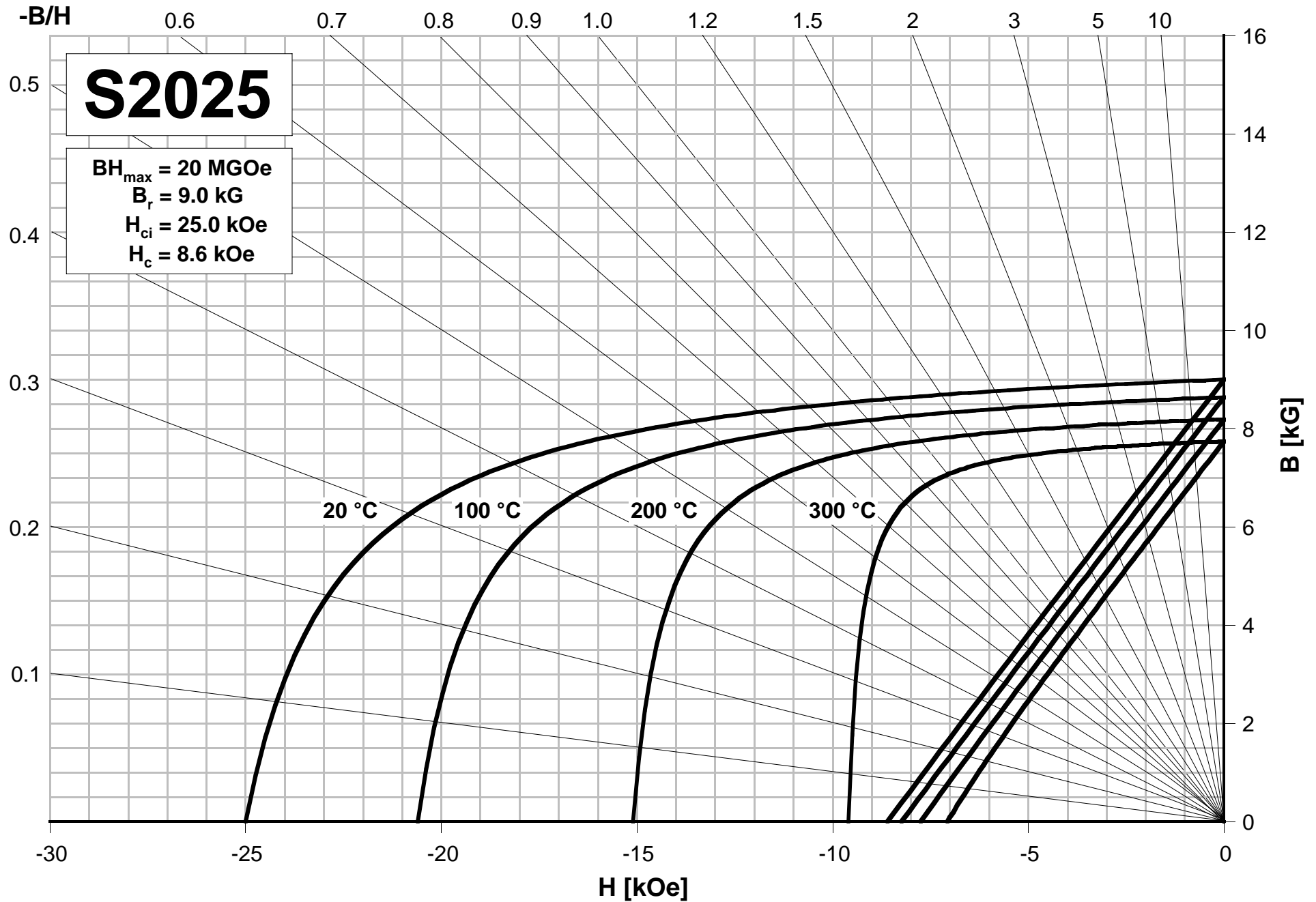
DEXTER MAGNETIC TECHNOLOGIES

Tel: +1-847-956-1140 Email: info@dextermag.com Web: www.dextermag.com



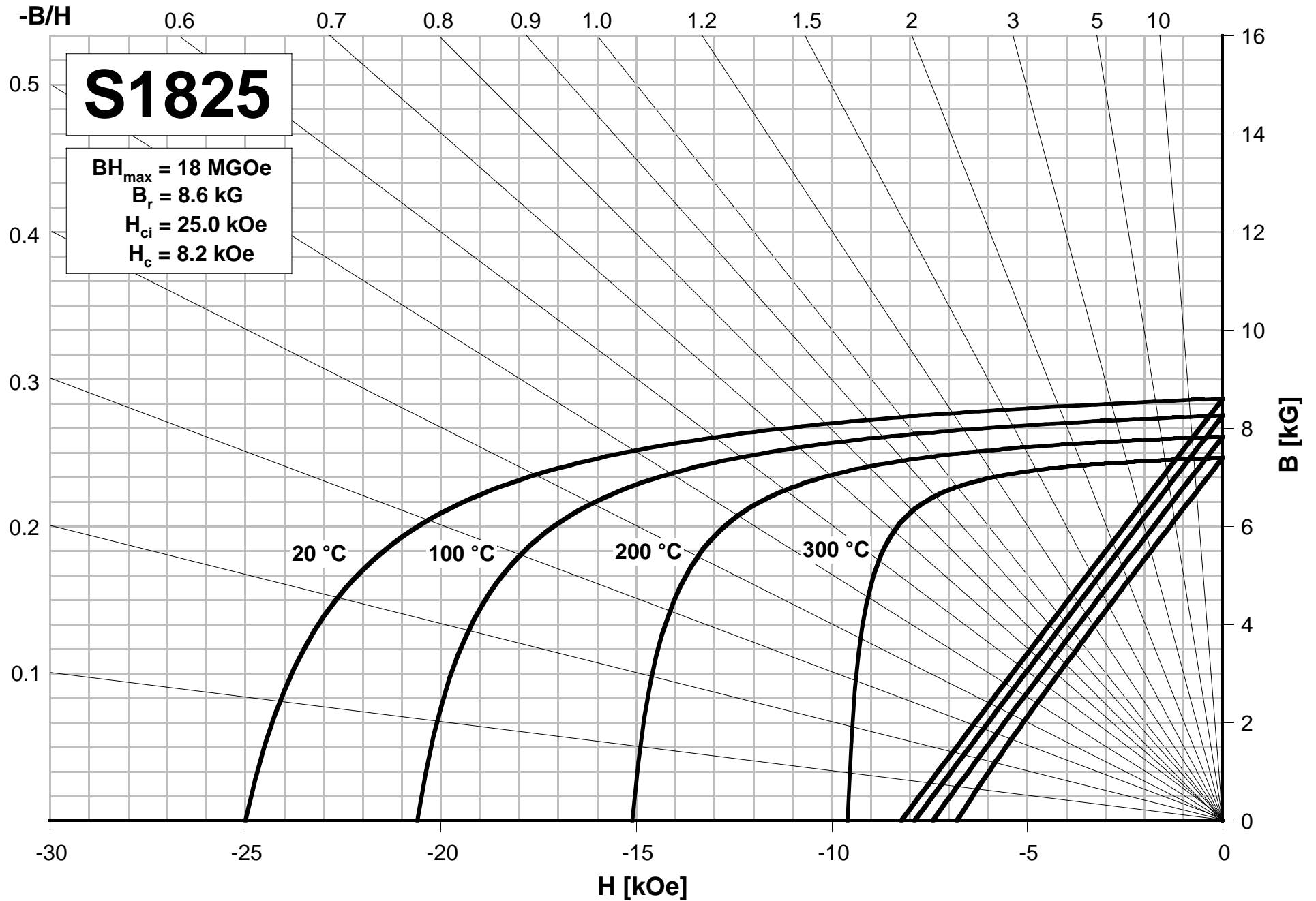
DEXTER MAGNETIC TECHNOLOGIES

Tel: +1-847-956-1140 Email: info@dextermag.com Web: www.dextermag.com



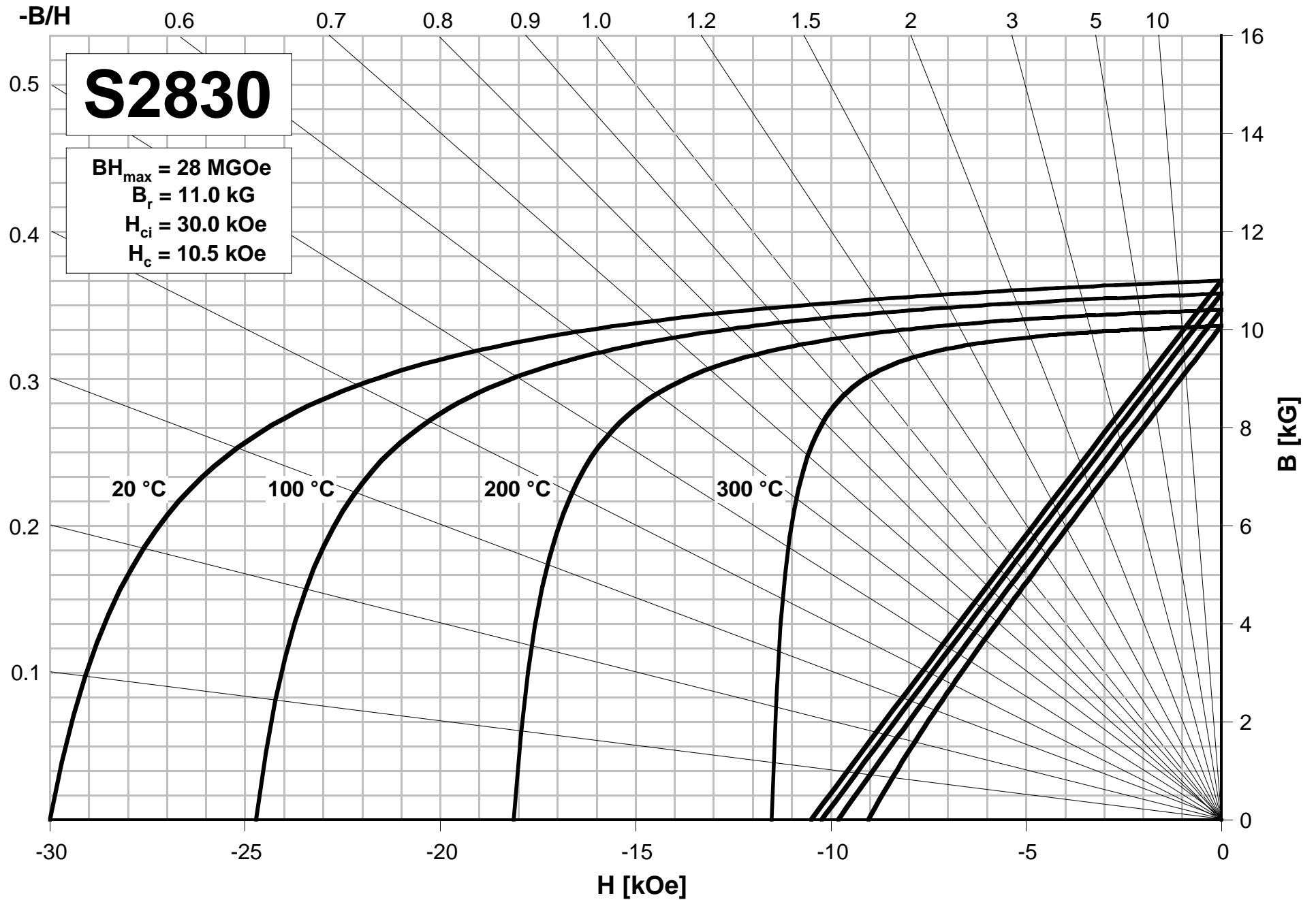
DEXTER MAGNETIC TECHNOLOGIES

Tel: +1-847-956-1140 Email: info@dextermag.com Web: www.dextermag.com



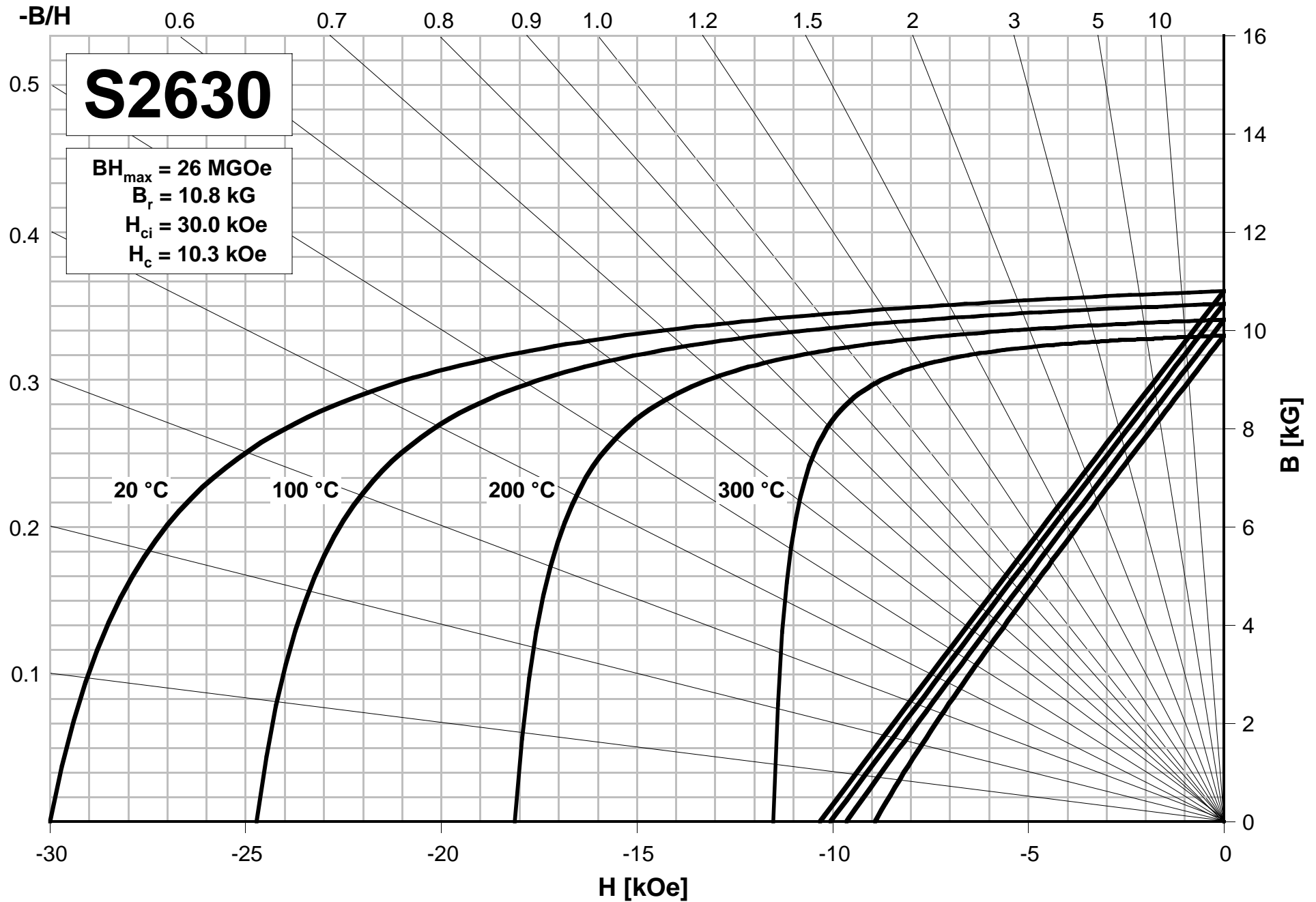
DEXTER MAGNETIC TECHNOLOGIES

Tel: +1-847-956-1140 Email: info@dextermag.com Web: www.dextermag.com



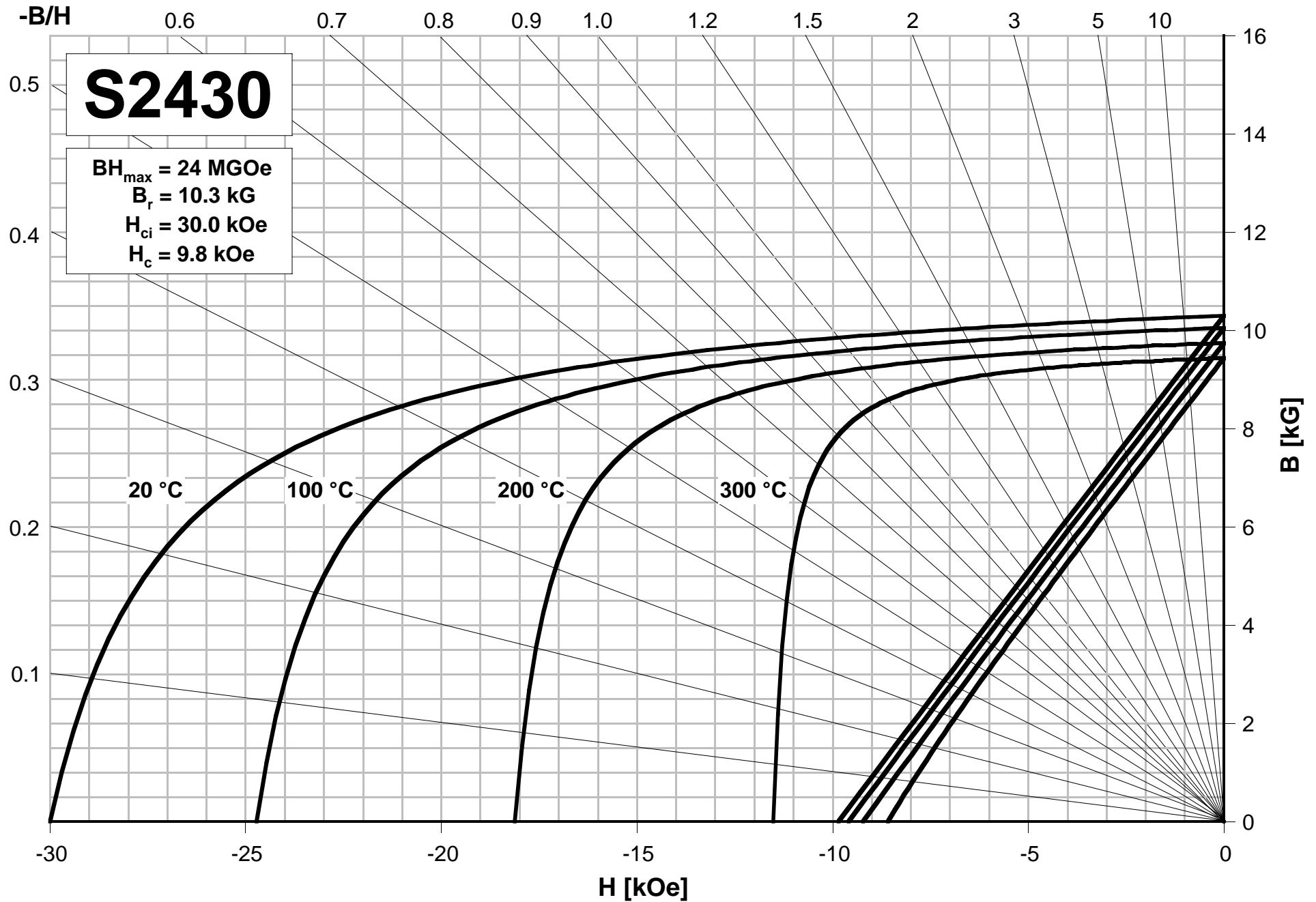
DEXTER MAGNETIC TECHNOLOGIES

Tel: +1-847-956-1140 Email: info@dextermag.com Web: www.dextermag.com



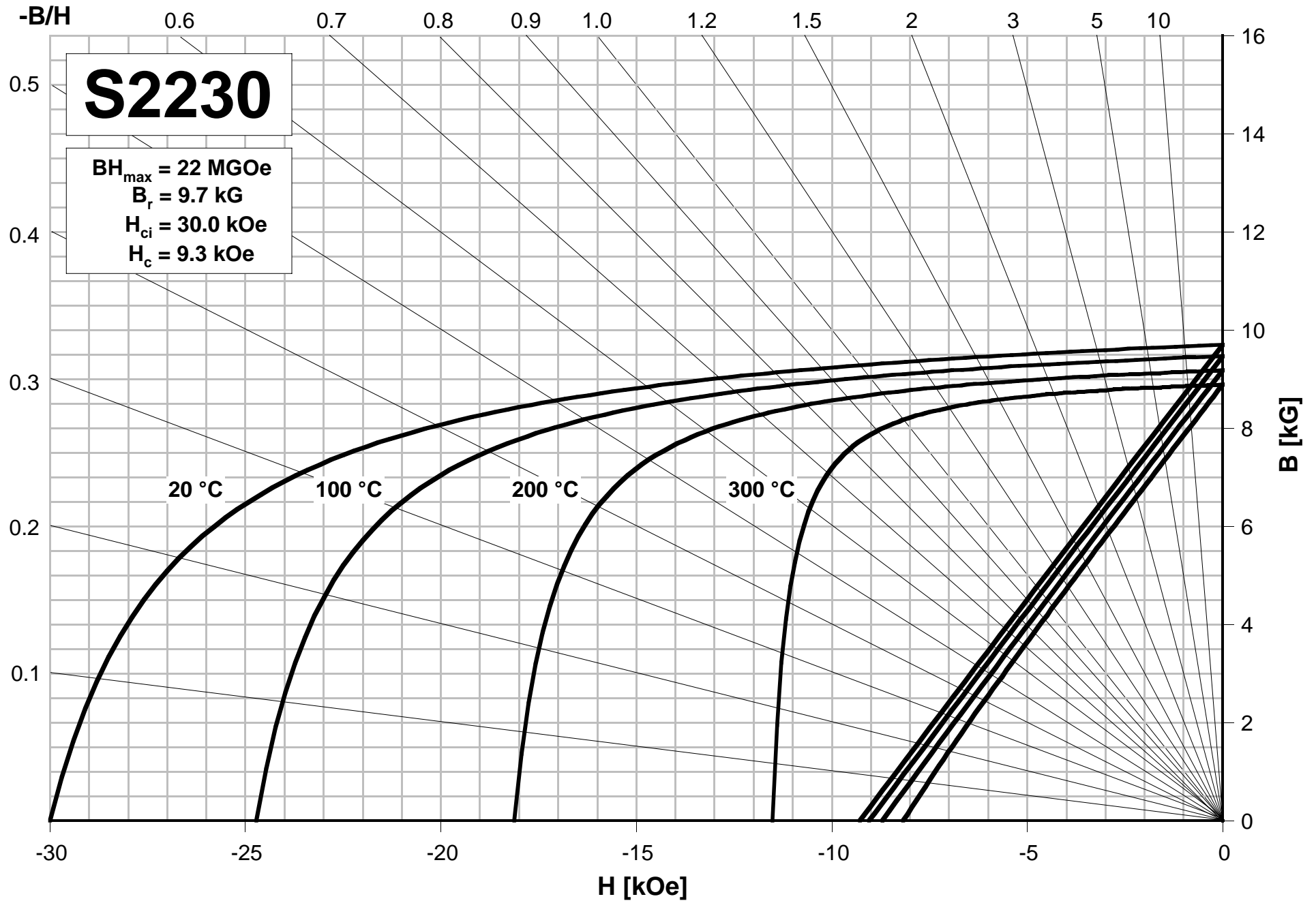
DEXTER MAGNETIC TECHNOLOGIES

Tel: +1-847-956-1140 Email: info@dextermag.com Web: www.dextermag.com



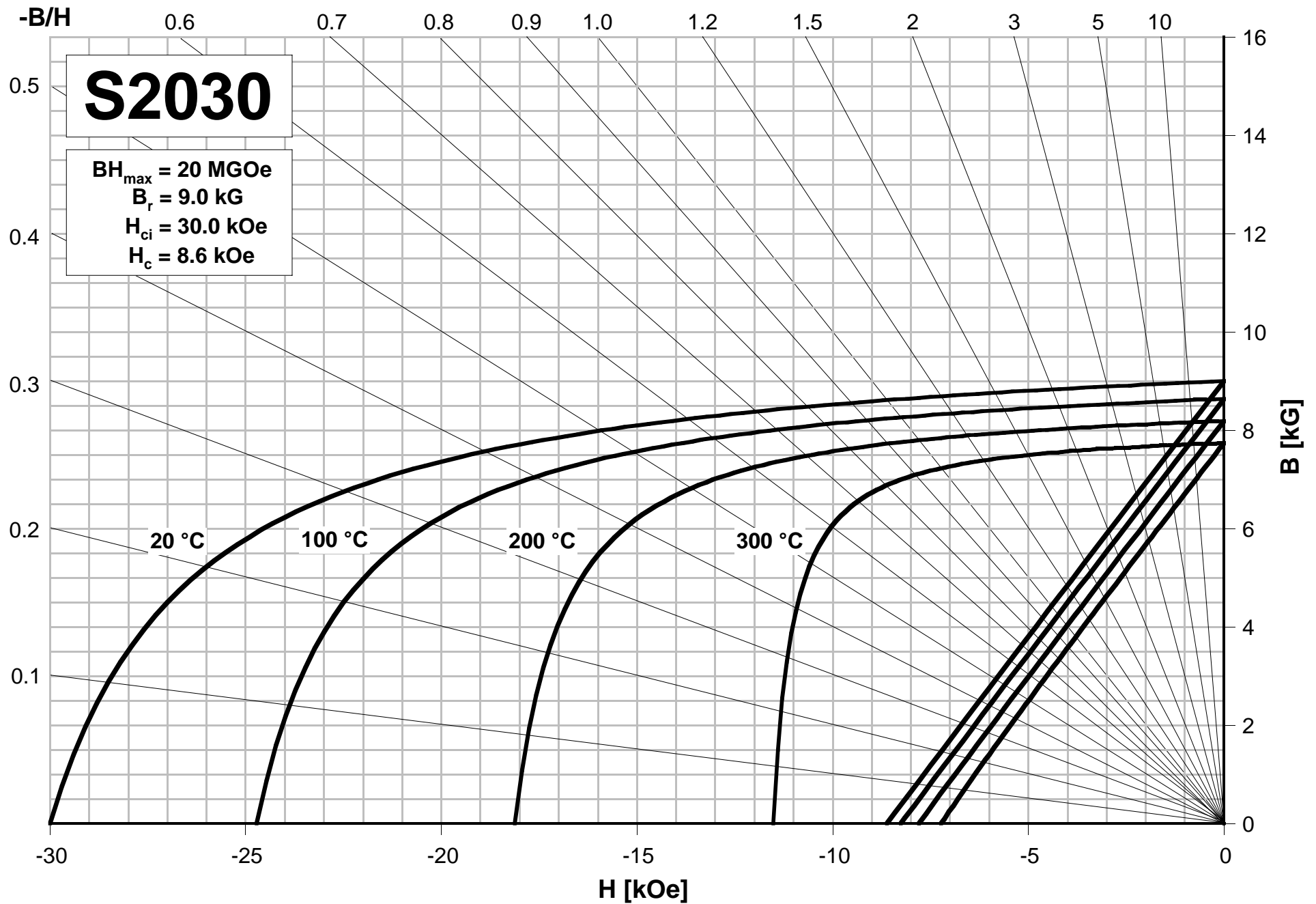
DEXTER MAGNETIC TECHNOLOGIES

Tel: +1-847-956-1140 Email: info@dextermag.com Web: www.dextermag.com



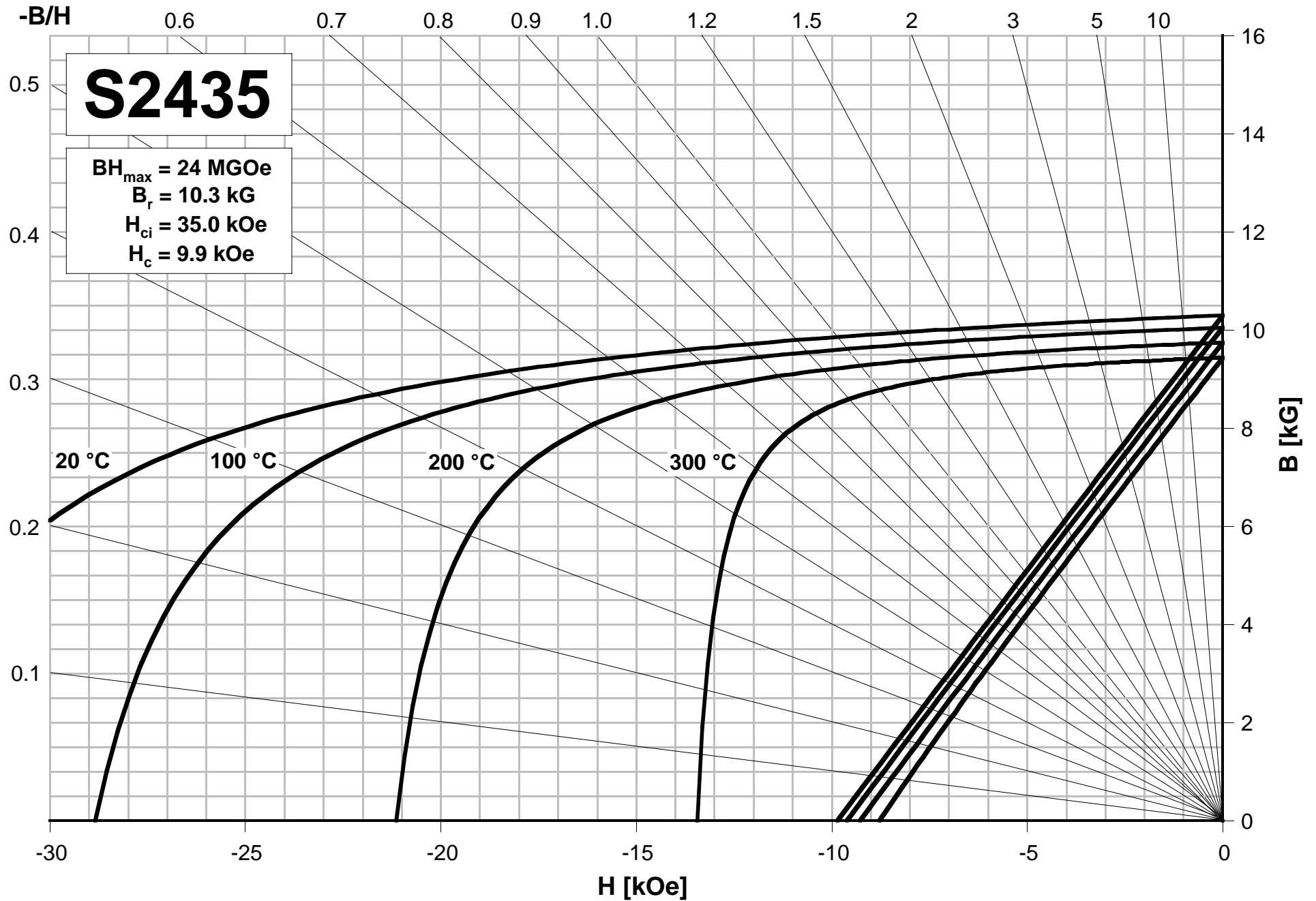
DEXTER MAGNETIC TECHNOLOGIES

Tel: +1-847-956-1140 Email: info@dextermag.com Web: www.dextermag.com



DEXTER MAGNETIC TECHNOLOGIES

Tel: +1-847-956-1140 Email: info@dextermag.com Web: www.dextermag.com



DEXTER MAGNETIC TECHNOLOGIES

Tel: +1-847-956-1140 Email: info@dextermag.com Web: www.dextermag.com

