

Ferronics offers a line of 6 hole beads and chokes for applications where a single hole bead does not provide the impedance level desired. Ferronics provides six-hole beads in the following materials:

J Material - The best choice in 20-300MHz noise suppression applications.

K Material - Suited for 50-500MHz applications.

The standard chokes are offered in 1.5, 2.5 and 3 turn versions. Ferronics also offers a common mode choke version with 2 x 1.5 turns. (See Table 1 and accompanying figures.) An industry standard, the six-hole bead can be custom wound to meet your particular requirements.

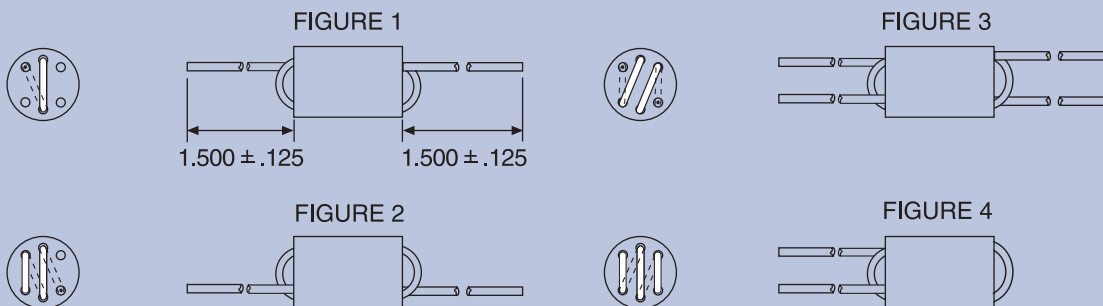
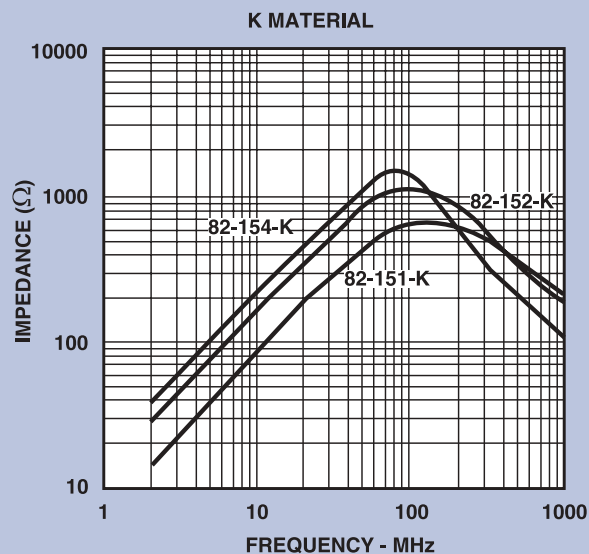
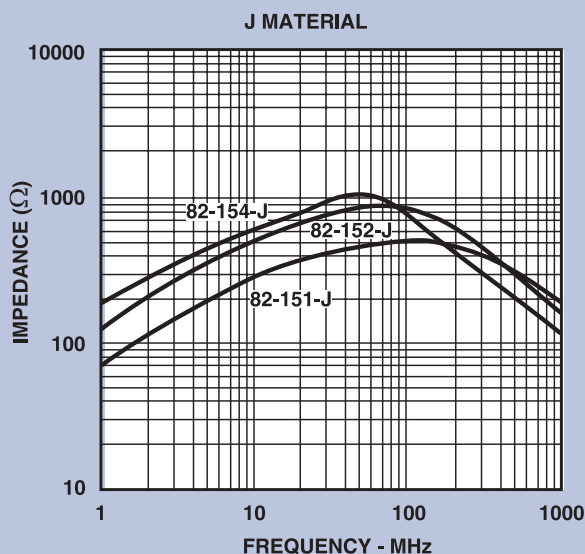


TABLE 1

PART NUMBER	DESCRIPTION	MIN Z (Ω)	FREQ (MHz)	FIG.
82-151-J	12-390-J WITH 1½ TURNS*	400	100	1
82-151-K	12-390-K WITH 1½ TURNS*	450	100	1
82-152-J	12-390-J WITH 2½ TURNS*	600	100	2
82-152-K	12-390-K WITH 2½ TURNS*	675	100	2
82-153-J	12-390-J WITH 2 x 1½ TURNS*	400	100	3
82-153-K	12-390-K WITH 2 x 1½ TURNS*	450	100	3
82-154-J	12-390-J WITH 3 TURNS*	800	50	4
82-154-K	12-390-K WITH 3 TURNS*	1000	70	4

*#24AWG tinned copper wire is standard.

Refer to Part Number 12-390 in BEADS section for dimensional data.